

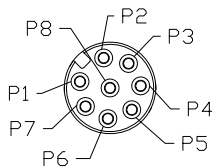
Notes: (Unless Otherwise Specified)

- 1. Waterproof Rate: IP68.
- 2. Durability: 100 Cycles Min.
- 3. DWV: 650 Vrms
- 4. Rated Voltage: 30V AC/DC.
- 5. Insulation Resistance: 100 MΩ Min.
- 6. RoHS Compliant.

REV	ECN#	DESCRIPTION OF REVISION	DRAW BY DATE	CHECK BY DATE	APPROVE BY DATE
A0			Jenny 06/08/22	Lucas 06/08/22	Ray 06/08/22

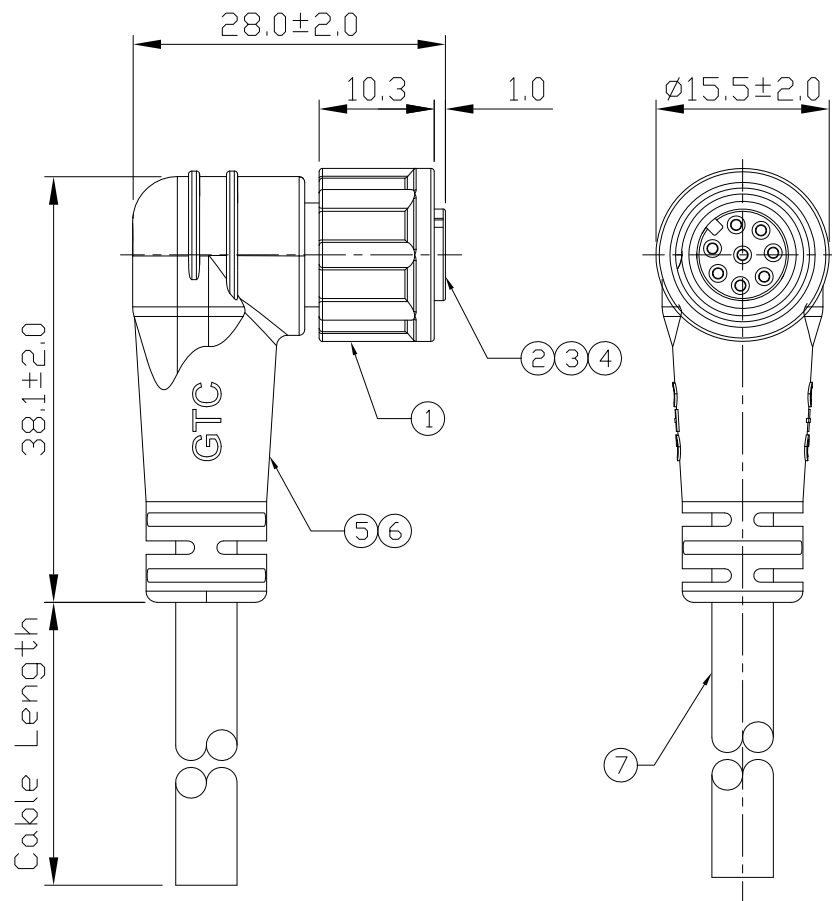
GTC
DOC.CENTER.ISSUE
SEP.15.2022
ONLY FOR
RELEASE

1	Black
2	Brown
3	Orange
4	Yellow
5	Green
6	Blue
7	Violet
8	White



Pin Assignment

Wiring Diagram



Part No.	Cable Length	Tol.
GT134125-21081-10	10000 mm	+500
GT134125-21081-09	9000 mm	+450
GT134125-21081-08	8000 mm	+400
GT134125-21081-07	7000 mm	+150
GT134125-21081-06	6000 mm	+150
GT134125-21081-05	5000 mm	+150
GT134125-21081-04	4000 mm	+150
GT134125-21081-03	3000 mm	+100
GT134125-21081-02	2000 mm	+100
GT134125-21081-01	1000 mm	+50
GT134125-21081-Z9	900 mm	+50
GT134125-21081-Z8	800 mm	+50
GT134125-21081-Z7	700 mm	+50
GT134125-21081-Z6	600 mm	+50
GT134125-21081-Z5	500 mm	+50
GT134125-21081-Z4	400 mm	+50
GT134125-21081-Z3	300 mm	+25
GT134125-21081-Z2	200 mm	+25

Item	Part Name	Material / Finish	Q'ty
7	Cable	UL2464 8C*24AWG+Al/My+D ØD=5.5mm, Color:Black	1
6	Over Mold	PVC Color: Black	1
5	Inner Mold	Thermoplastic Color: White Or Black	1
4	O-Ring	Silicone Color: Red	1
3	Contacts	Copper Alloy Finish: Au Plated	8
2	Housing	Thermoplastic Color: Black	1
1	Screw Nut	Thermoplastic Color: Black	1

TITLE M12 A-Coding Plastic 2A 8P Cable End 90° Female With Cable						DRAWING NUMBER GT134125-21081-XX		REV. A0
---	--	--	--	--	--	-------------------------------------	--	------------

 THIRD ANGLE PROJECTION	B	N/A	Jenny 06/08/22	Lucas 06/08/22	Ray 06/08/22	X.X ± 0.5 X.XX ± 0.2	ANGLES ± 1°	mm	1/1
			SIZE	SCALE	DRAW / DATE				

GT Contact CO.,LTD

NOTICE OF PROPRIETARY PROPERTY:

THE INFORMATION CONTAINED HEREIN IS THE PROPRIETARY PROPERTY OF GT CONTACT CO.,LTD THE POSSESSOR AGREES TO THE FOLLOWING:
 (A) TO MAINTAIN THIS DOCUMENT IN CONFIDENCE
 (B) NOT TO REPRODUCE OR COPY IT
 (C) NOT TO REVEAL OR PUBLISH IT IN WHOLE OR PART
 (D) ALL RIGHTS RESERVED