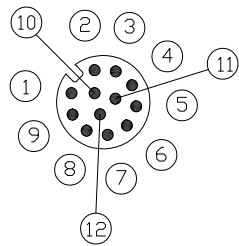


Notes: (Unless Otherwise Specified)

1. Waterproof Rate: IP68.
2. Durability: 100 Cycles Min.
3. DWV: 500 Vrms
4. Rated Voltage: 30V AC/DC.
5. Insulation Resistance: 100 MΩ Min.
6. RoHS Compliant.

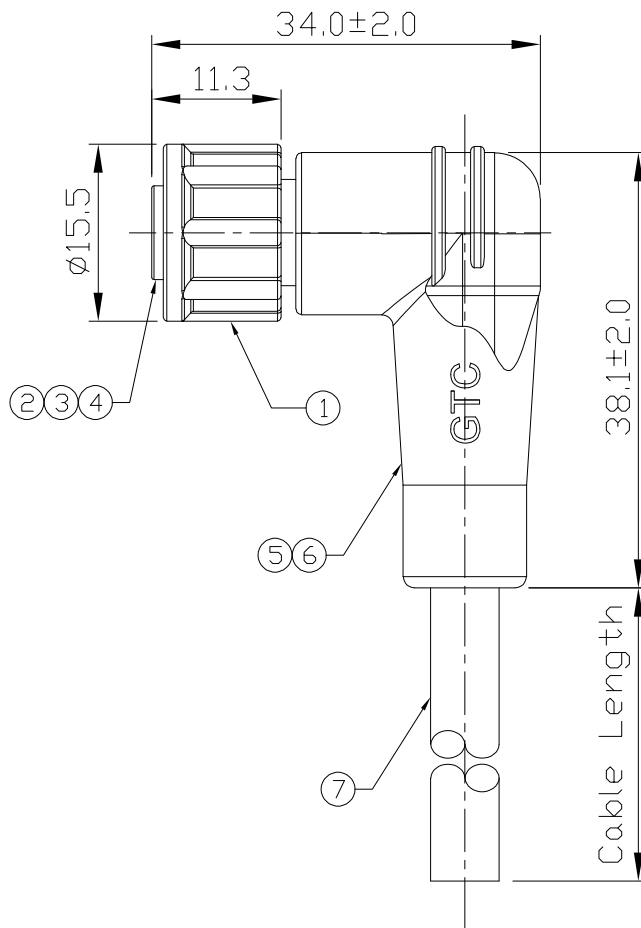
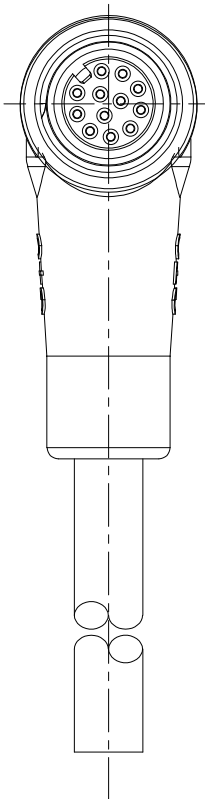
REV	ECN#	DESCRIPTION OF REVISION	DRAW BY DATE	CHECK BY DATE	APPROVE BY DATE
A0			Jenny 05/13/22	Lucas 05/13/22	Ray 05/13/22

1	Black
2	Brown
3	Red
4	Orange
5	Yellow
6	Green
7	Blue
8	Purple
9	Gray
10	White
11	Pink
12	Light Green
	Drain



Pin Assignment

Wiring Diagram



GTC  
DOC.CENTER.ISSUE  
MAY.16.2022  
ONLY FOR  
RELEASE

7	Cable	UL2464 26AWG*12C+Al/My+D OD=6.0±0.2mm, Color: Black	1
6	Over Mold	PVC Color: Black	1
5	Inner Mold	Thermoplastic Color: White Or Black	1
4	O-Ring	Silicone Color: Red	1
3	Contacts	Copper Alloy Finish: Au Plated	12
2	Housing	Thermoplastic Color: Black	1
1	Screw Nut	Thermoplastic Color: Black	1
Item	Part Name	Material / Finish	Q'ty

GT134125-04121-10	10000 mm	+500
GT134125-04121-09	9000 mm	+450
GT134125-04121-08	8000 mm	+400
GT134125-04121-07	7000 mm	+150
GT134125-04121-06	6000 mm	+150
GT134125-04121-05	5000 mm	+150
GT134125-04121-04	4000 mm	+150
GT134125-04121-03	3000 mm	+100
GT134125-04121-02	2000 mm	+100
GT134125-04121-01	1000 mm	+50
GT134125-04121-Z9	900 mm	+50
GT134125-04121-Z8	800 mm	+50
GT134125-04121-Z7	700 mm	+50
GT134125-04121-Z6	600 mm	+50
GT134125-04121-Z5	500 mm	+50
GT134125-04121-Z4	400 mm	+50
GT134125-04121-Z3	300 mm	+25
GT134125-04121-Z2	200 mm	+25
Part No.	Cable Length	Tol.

TITLE					DRAWING NUMBER			REV.	
M12 A-Coding Plastic 1.5A 12P Cable End 90° Female With Cable					GT134125-04121-XX			A0	
DO NOT SCALE DRAWINGS	B	N/A	Jenny 05/13/22	Lucas 05/13/22	Ray 05/13/22	X.X ± 0.5	X.XX ± 0.2	ANGLES ± 1°	MM
THIRD ANGLE PROJECTION	SIZE	SCALE	DRAW / DATE	CHECK / DATE	APPROVE / DATE	TOLERANCES		UNIT	SHEET

GT Contact CO.,LTD

NOTICE OF PROPRIETARY PROPERTY:  
THE INFORMATION CONTAINED HEREIN IS THE PROPRIETARY PROPERTY OF GT Contact CO.,LTD THE POSSESSOR AGREES TO THE FOLLOWING:  
(i) TO MAINTAIN THIS DOCUMENT IN CONFIDENCE  
(ii) NOT TO REPRODUCE OR COPY IT  
(iii) NOT TO REVEAL OR PUBLISH IT IN WHOLE OR PART  
(iv) ALL RIGHTS RESERVED