

1

2

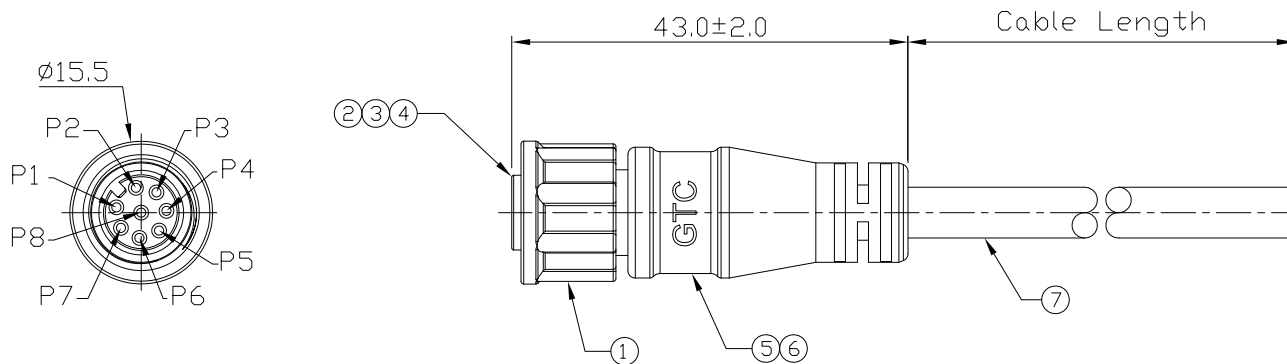
3

4

Notes: (Unless Otherwise Specified)

- 1. Waterproof Rate: IP68
- 2. Durability: 100 Cycles Min.
- 3. DWV: 650 Vrms
- 4. Rated Voltage: 30V AC/DC
- 5. Insulation Resistance: 100 MΩ Min.
- 6. RoHS Compliant

| REV | ECN# | DESCRIPTION OF REVISION | DRAW BY DATE | CHECK BY DATE | APPROVE BY DATE |
|-----|------|-------------------------|----------------|----------------|-----------------|
| A0 | | | Jenny 11/16/22 | Lucas 11/16/22 | Ray 11/16/22 |



| 7 | Cable | UL2464 24AWG*8C+D+Al/My ØD=5.5mm, Color: Black | 1 |
|------|------------|---|------|
| 6 | Over Mold | PVC Color: Black | 1 |
| 5 | Inner Mold | Thermoplastic Color: Black or White | 1 |
| 4 | O-Ring | Silicone Color: Red | 1 |
| 3 | Contacts | Copper Alloy Finish: Au Plated | 8 |
| 2 | Housing | Thermoplastic Color: Black | 1 |
| 1 | Screw Nut | Thermoplastic Color: Black | 1 |
| Item | Part Name | Material / Finish | Q'TY |

| | |
|---|--------|
| 1 | Brown |
| 2 | White |
| 3 | Orange |
| 4 | Yellow |
| 5 | Green |
| 6 | Blue |
| 7 | Violet |
| 8 | Black |

Wiring Diagram

| GT134124-21081-15 | 15000 mm | +750 |
|-------------------|--------------|------|
| GT134124-21081-10 | 10000 mm | +500 |
| GT134124-21081-09 | 9000 mm | +450 |
| GT134124-21081-08 | 8000 mm | +400 |
| GT134124-21081-07 | 7000 mm | +150 |
| GT134124-21081-06 | 6000 mm | +150 |
| GT134124-21081-05 | 5000 mm | +150 |
| GT134124-21081-04 | 4000 mm | +150 |
| GT134124-21081-03 | 3000 mm | +100 |
| GT134124-21081-02 | 2000 mm | +100 |
| GT134124-21081-01 | 1000 mm | +50 |
| GT134124-21081-Z9 | 900 mm | +50 |
| GT134124-21081-Z5 | 500 mm | +50 |
| GT134124-21081-Z4 | 400 mm | +50 |
| GT134124-21081-Z3 | 300 mm | +25 |
| GT134124-21081-Z2 | 200 mm | +25 |
| Part No. | Cable Length | Tol. |

| TITLE | | | | | | DRAWING NUMBER | | | REV. |
|---|------|-------|----------------|----------------|----------------|-------------------------|-----------------------------|------|-------|
| M12 A-Coding Plastic 2A 8P Cable End Female | | | | | | GT134124-21081-XX | | | A0 |
| | B | 1:1 | Jenny 11/16/22 | Lucas 11/16/22 | Ray 11/16/22 | X.X ± 0.5 X.XX ± 0.2 | X.XXX ± 0.05 ANGLES ± 1° | mm | 1/1 |
| THIRD ANGLE PROJECTION | SIZE | SCALE | DRAW / DATE | CHECK / DATE | APPROVE / DATE | TOLERANCES | | UNIT | SHEET |

GT Contact CO.,LTD

NOTICE OF PROPRIETARY PROPERTY:
 THE INFORMATION CONTAINED HEREIN IS THE PROPRIETARY PROPERTY OF GT Contact CO.,LTD THE POSSESSOR AGREES TO THE FOLLOWING:
 (i) TO MAINTAIN THIS DOCUMENT IN CONFIDENCE
 (ii) NOT TO REPRODUCE OR COPY IT
 (iii) NOT TO REVEAL OR PUBLISH IT IN WHOLE OR PART
 (iv) ALL RIGHTS RESERVED

1

2

3

4