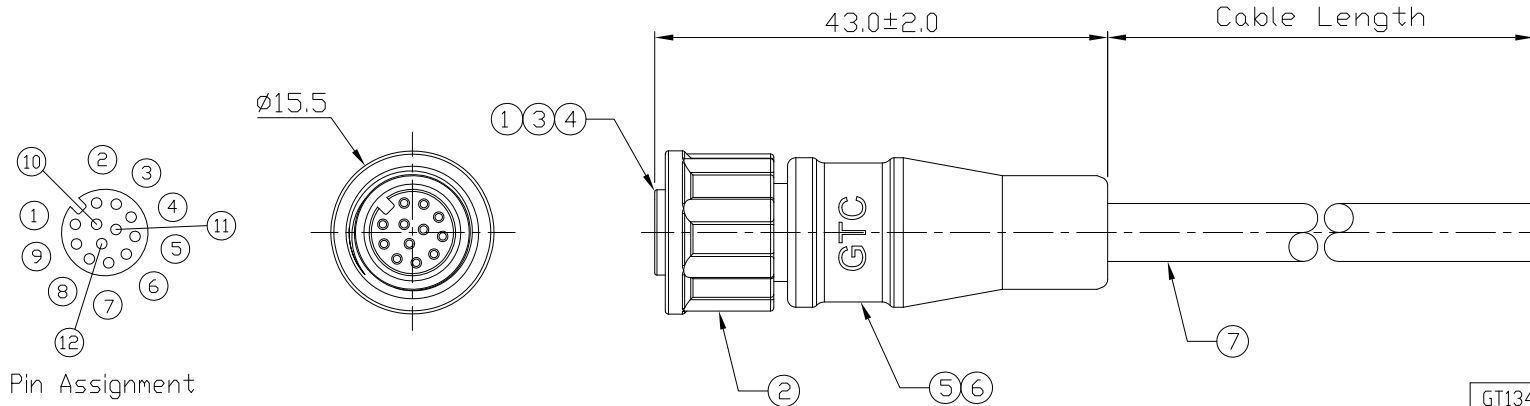


Notes: (Unless Otherwise Specified)

1. Waterproof Rate: IPX8 (Mating).
2. Durability: 100 Cycles Min.
3. DWV: 500 Vrms
4. Rated Voltage: 30V AC/DC.
5. Insulation Resistance: 100 M OHM Min.
6. RoHS Compliant.

REV	ECN#	DESCRIPTION OF REVISION	DRAW BY DATE	CHECK BY DATE	APPROVE BY DATE
A0			Jenny 11/16/22	Lucas 11/16/22	Ray 11/16/22



Color	Pin
Black	1
Brown	2
Red	3
Orange	4
Yellow	5
Green	6
Blue	7
Purple	8
Gray	9
White	10
Pink	11
Light Green	12
Drain	

Wiring Diagram

Item	Part Name	Material / Finish	Q'ty
7	Cable	UL2464 26AWG*12C+Al/My+D Color: Black, OD=6.0mm	1
6	Over Mold	PVC Color: Black	1
5	Inner Mold	Thermoplastic Color: White	1
4	O-Ring	Silicone Color: Red	1
3	Contacts	Copper Alloy Finish: Au Plated	12
2	Screw Nut	Thermoplastic Color: Black	1
1	Housing	Thermoplastic Color: Black	1

GT134124-04121-10	10000 mm	+500
GT134124-04121-09	9000 mm	+450
GT134124-04121-08	8000 mm	+400
GT134124-04121-07	7000 mm	+150
GT134124-04121-06	6000 mm	+150
GT134124-04121-05	5000 mm	+150
GT134124-04121-04	4000 mm	+150
GT134124-04121-03	3000 mm	+100
GT134124-04121-02	2000 mm	+100
GT134124-04121-01	1000 mm	+50
GT134124-04121-Z9	900 mm	+50
GT134124-04121-Z5	500 mm	+50
GT134124-04121-Z4	400 mm	+50
GT134124-04121-Z3	300 mm	+25
GT134124-04121-Z2	200 mm	+25
Part No.	Cable Length	Tol.

GTC
DOC.CENTER.ISSUE
NOV.21.2022
ONLY FOR
RELEASE

TITLE						DRAWING NUMBER			REV.	
M12 A-Coding Plastic 1.5A 12P Cable End Female						GT134124-04121-XX			A0	
THIRD ANGLE PROJECTION	SIZE	SCALE	DRAW / DATE	CHECK / DATE	APPROVE / DATE	TOLERANCES		UNIT	SHEET	
	B	1:1	Jenny 11/16/22	Lucas 11/16/22	Ray 11/16/22	X.X ± 0.5 X.XX ± 0.2	X.XXX ± 0.05 ANGLES ± 1°	mm	1/1	

GT Contact CO.,LTD

NOTICE OF PROPRIETARY PROPERTY:
THE INFORMATION CONTAINED HEREIN IS THE PROPRIETARY PROPERTY OF GT Contact CO.,LTD THE POSSESSOR AGREES TO THE FOLLOWING:
(a) TO MAINTAIN THIS DOCUMENT IN CONFIDENCE
(b) NOT TO REPRODUCE OR COPY IT
(c) NOT TO REVEAL OR PUBLISH IT IN WHOLE OR PART
(d) ALL RIGHTS RESERVED