

1

2

3

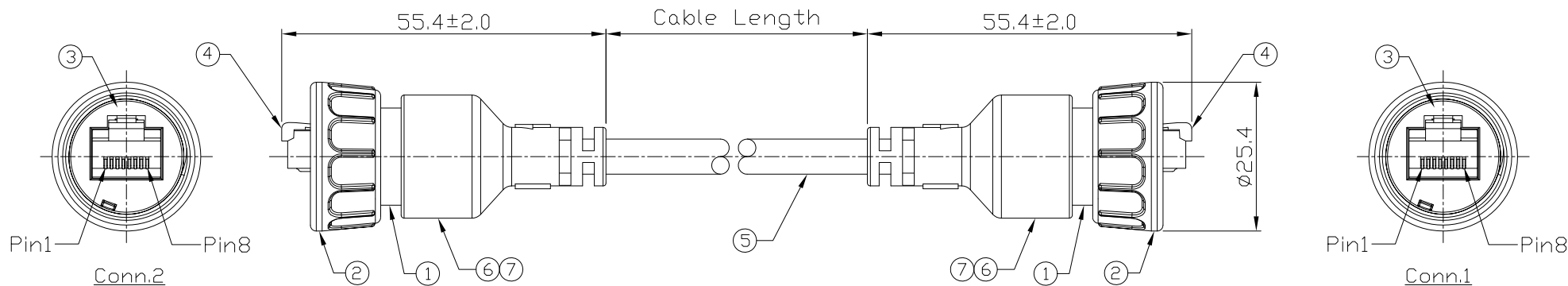
4

Notes: (Unless Otherwise Specified)

- 1. Waterproof Rate: IP67.
- 2. RoHS Compliant.

GTC  
 DOC.CENTER.ISSUE  
 MAR.03.2022  
 ONLY FOR  
 RELEASE

REV	ECN#	DESCRIPTION OF REVISION	DRAW BY DATE	CHECK BY DATE	APPROVE BY DATE
A0			Jenny 03/03/22	Lucas 03/03/22	Ray 03/03/22



Item	Part Name	Material / Finish	QTY
7	Over Mold	PVC Color: Black	2
6	Inner Mold	Thermoplastic Color: Black Or White	2
5	Cable	CAT6E 26AWG*4P+Al/My+D Color: Black, OD=6.0mm	1
4	RJ45 Plug	Housing: Thermoplastic, Color: Clean Contacts: Copper Alloy, Finish: Au Plated Shell: Cold Roll Steel, Finish: Ni Plated	2
3	Rubber Pad	Silicone Color: Black	2
2	Screw Nut	Thermoplastic Color: Black	2
1	Housing	Thermoplastic Color: Black	2

Item	Color	Item
1	White/Orange	1
2	Orange	2
3	White/Green	3
4	Blue	4
5	White/Blue	5
6	Green	6
7	White/Brown	7
8	Brown	8
Shell	Drain	Shell

Wiring Diagram

Part No.	Cable Length	Tol.
GT125320-0K-16	16000 mm	+800
GT125320-0K-10	10000 mm	+500
GT125320-0K-09	9000 mm	+450
GT125320-0K-08	8000 mm	+400
GT125320-0K-07	7000 mm	+150
GT125320-0K-06	6000 mm	+150
GT125320-0K-05	5000 mm	+150
GT125320-0K-04	4000 mm	+150
GT125320-0K-03	3000 mm	+100
GT125320-0K-02	2000 mm	+100
GT125320-0K-01	1000 mm	+50
GT125320-0K-Z5	500 mm	+50

TITLE						DRAWING NUMBER			REV.
Dual RJ45 Plastic C3 Shielded Plug Screw With CAT6 Cable						GT125320-0K-XX			A0
THIRD ANGLE PROJECTION	SIZE	SCALE	DRAW / DATE	CHECK / DATE	APPROVE / DATE	TOLERANCES	UNIT	SHEET	
DD NOT SCALE DRAWINGS	B	1:1	Jenny 03/03/22	Lucas 03/03/22	Ray 03/03/22	X.X ± 0.5 X.XX ± 0.2	X.XXX ± 0.05 ANGLES ± 1°	mm 1/1	

GT Contact CO.,LTD

NOTICE OF PROPRIETARY PROPERTY:  
 THE INFORMATION CONTAINED HEREIN IS THE PROPRIETARY PROPERTY OF GT Contact CO.,LTD THE POSSESSOR AGREES TO THE FOLLOWING:  
 (i) TO MAINTAIN THIS DOCUMENT IN CONFIDENCE  
 (ii) NOT TO REPRODUCE OR COPY IT  
 (iii) NOT TO REVEAL OR PUBLISH IT IN WHOLE OR PART  
 (iv) ALL RIGHTS RESERVED

1

2

3

4