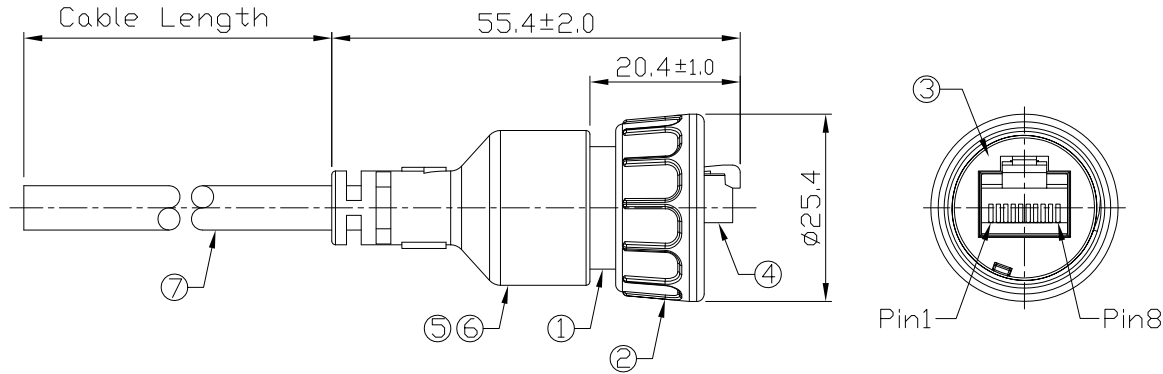


Notes: (Unless Otherwise Specified)  
 1. Waterproof Rate: IP67.  
 2. RoHS Compliant.

REV	ECN#	DESCRIPTION OF REVISION	DRAW BY DATE	CHECK BY DATE	APPROVE BY DATE
01			Jimmy 07/28/16	Lucas 07/28/16	Ray 07/28/16

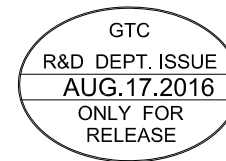


GT125320-0E-10	10000 mm	+500
GT125320-0E-09	9000 mm	+450
GT125320-0E-08	8000 mm	+400
GT125320-0E-07	7000 mm	+150
GT125320-0E-06	6000 mm	+150
GT125320-0E-05	5000 mm	+150
GT125320-0E-04	4000 mm	+150
GT125320-0E-03	3000 mm	+100
GT125320-0E-02	2000 mm	+100
GT125320-0E-01	1000 mm	+50
GT125320-0E-Z9	900 mm	+50
GT125320-0E-Z8	800 mm	+50
GT125320-0E-Z7	700 mm	+50
GT125320-0E-Z6	600 mm	+50
GT125320-0E-Z5	500 mm	+50
GT125320-0E-Z4	400 mm	+50
GT125320-0E-Z3	300 mm	+25
GT125320-0E-Z2	200 mm	+25
Part No.	Cable Length	Tol.

7	Cable	CAT6 26AWG*4P+Al/My+D, OD=6.0mm Color: Black	1
6	Over Mold	PVC Color: Black	1
5	Inner Mold	Thermoplastic Color: White	1
4	RJ45 Plug	Housing: Thermoplastic, Color: Clean Contacts: Copper Alloy, Finish: Au Plated Shell: Cold Roll Steel, Finish: Ni Plated	1
3	Rubber Pad	Silicone Color: Black	1
2	Screw Nut	Thermoplastic Color: Black	1
1	Housing	Thermoplastic Color: Black	1
Item	Part Name	Material / Finish	QTY



Wiring Diagram



TITLE						DRAWING NUMBER			REV.
RJ45 Plastic C3 Shielded Cable End Plug Screw						GT125320-0E-XX			01
	B	1:1	Jimmy 07/28/16	Lucas 07/28/16	Ray 07/28/16	X.X ± 0.5 X.XX ± 0.2	X.XXX ± 0.05 ANGLES ± 1°	mm	1/1
THIRD ANGLE PROJECTION	SIZE	SCALE	DRAW / DATE	CHECK / DATE	APPROVE / DATE	TOLERANCES		UNIT	SHEET

GT Contact CO.,LTD

NOTICE OF PROPRIETARY PROPERTY:  
 THE INFORMATION CONTAINED HEREIN IS THE PROPRIETARY PROPERTY OF GT CONTACT CO.,LTD THE POSSESSOR AGREES TO THE FOLLOWING:  
 (a) TO MAINTAIN THIS DOCUMENT IN CONFIDENCE  
 (b) NOT TO REPRODUCE OR COPY IT  
 (c) NOT TO REVEAL OR PUBLISH IT IN WHOLE OR PART  
 (d) ALL RIGHTS RESERVED