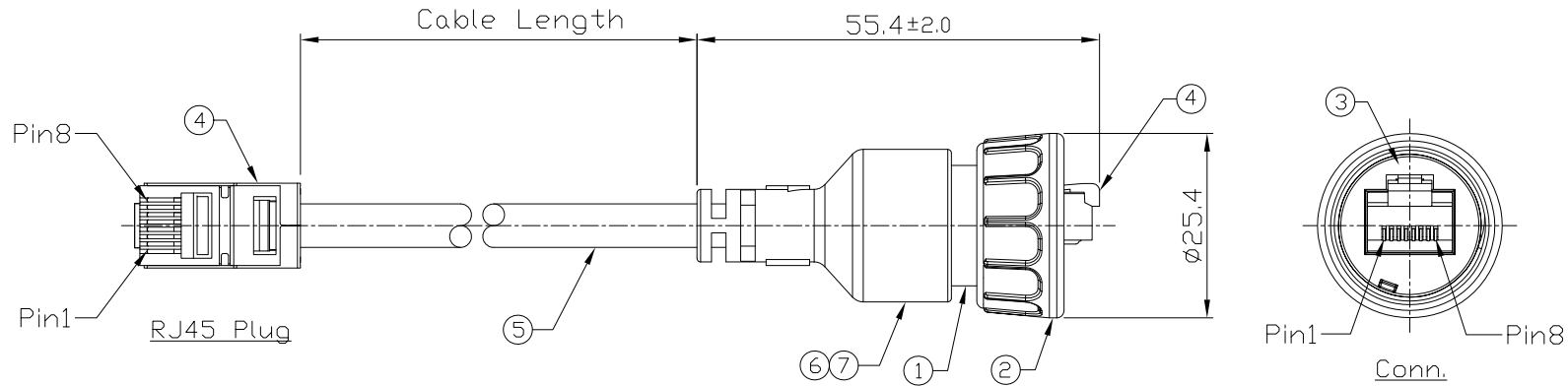


Notes: (Unless Otherwise Specified)  
 1. Waterproof Rate: IP67.  
 2. RoHS & REACH Compliant.

REV	ECN#	DESCRIPTION OF REVISION	DRAW BY DATE	CHECK BY DATE	APPROVE BY DATE
A0		Mass Production	Joyce 09/30/16	Lucas 09/30/16	Ray 09/30/16



GTC  
 DOC.CENTER.ISSUE  
 OCT.05.2016  
 ONLY FOR  
 RELEASE

GT125320-0A-10	10000 mm	+500
GT125320-0A-09	9000 mm	+450
GT125320-0A-08	8000 mm	+400
GT125320-0A-07	7000 mm	+150
GT125320-0A-06	6000 mm	+150
GT125320-0A-05	5000 mm	+150
GT125320-0A-04	4000 mm	+150
GT125320-0A-03	3000 mm	+100
GT125320-0A-02	2000 mm	+100
GT125320-0A-01	1000 mm	+50
GT125320-0A-Z9	900 mm	+50
GT125320-0A-Z8	800 mm	+50
GT125320-0A-Z7	700 mm	+50
GT125320-0A-Z6	600 mm	+50
GT125320-0A-Z5	500 mm	+50
GT125320-0A-Z4	400 mm	+50
GT125320-0A-Z3	300 mm	+25
GT125320-0A-Z2	200 mm	+25
Part No.	Cable Length	Tol.

7	Over Mold	PVC Color: Black	1
6	Inner Mold	Thermoplastic Color: Black Or White	1
5	Cable	CAT6 26AWG*4P+Al/My+D Color: Black, OD=6.0mm	1
4	RJ45 Plug	Housing: Thermoplastic, Color: Clear Contacts: Copper Alloy, Finish: Au Plated Shell: Cold Roll Steel, Finish: Ni Plated	2
3	Rubber Pad	Silicone Color: Black	1
2	Screw Nut	Thermoplastic Color: Black	1
1	Housing	Thermoplastic Color: Black	1
Item	Part Name	Material / Finish	QTY



Wiring Diagram

TITLE						DRAWING NUMBER			REV.	
RJ45 Plastic C3 Shielded Cable End Plug Screw With CAT6 Cable + RJ Plug						GT125320-0A-XX			A0	
	B	1:1	Joyce 09/30/16	Lucas 09/30/16	Ray 09/30/16	X.X ± 0.5 X.XX ± 0.2	X.XXX ± 0.05 ANGLES ± 1°	mm	1/1	
THIRD ANGLE PROJECTION	SIZE	SCALE	DRAW / DATE	CHECK / DATE	APPROVE / DATE	TOLERANCES		UNIT	SHEET	

GT Contact CO.,LTD

NOTICE OF PROPRIETARY PROPERTY:  
 THE INFORMATION CONTAINED HEREIN IS THE PROPRIETARY PROPERTY OF GT Contact CO.,LTD THE POSSESSOR AGREES TO THE FOLLOWING:  
 (A) TO MAINTAIN THIS DOCUMENT IN CONFIDENCE  
 (B) NOT TO REPRODUCE OR COPY IT  
 (C) NOT TO REVEAL OR PUBLISH IT IN WHOLE OR PART  
 (D) ALL RIGHTS RESERVED