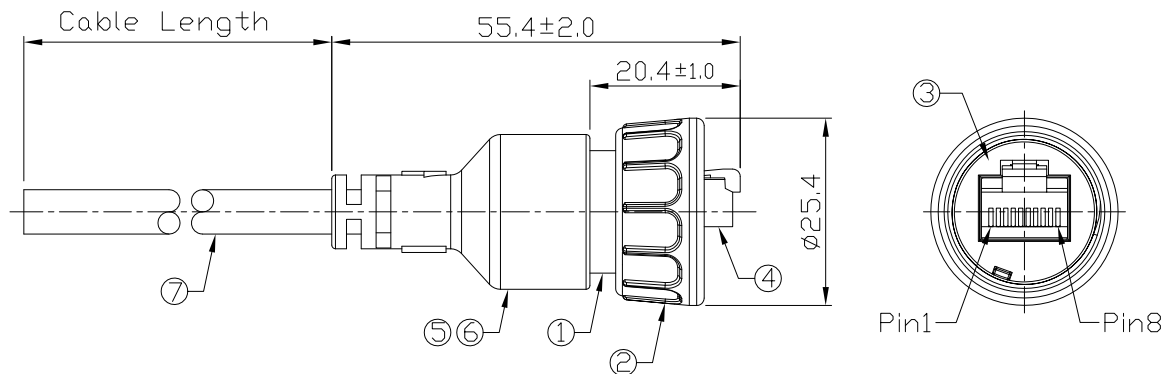


Notes: (Unless Otherwise Specified)

1. Waterproof Rate: IP67.
2. RoHS Compliant.

REV	ECN#	DESCRIPTION OF REVISION	DRAW BY DATE	CHECK BY DATE	APPROVE BY DATE
A0		Mass Production	Vicky 08/05/10	Ray 08/05/10	Ray 08/05/10



GT125320-02-10	10000 mm	±500
GT125320-02-09	9000 mm	±450
GT125320-02-08	8000 mm	±400
GT125320-02-07	7000 mm	±150
GT125320-02-06	6000 mm	±150
GT125320-02-05	5000 mm	±150
GT125320-02-04	4000 mm	±150
GT125320-02-03	3000 mm	±150
GT125320-02-02	2000 mm	±100
GT125320-02-01	1000 mm	±50
GT125320-02-29	900 mm	±40
GT125320-02-28	800 mm	±40
GT125320-02-27	700 mm	±40
GT125320-02-26	600 mm	±40
GT125320-02-25	500 mm	±40
GT125320-02-24	400 mm	±20
GT125320-02-23	300 mm	±20
GT125320-02-22	200 mm	±10
Part No.	Cable Length	Tol.

7	Cable	CAT5E 24AWG*4P+D+AL/My (UV) Color: Black, OD=6.0mm	1
6	Over Mold	PVC Color: Black	1
5	Inner Mold	Thermoplastic Color: White	1
4	RJ45 Plug	Housing: Thermoplastic, Color: Clean Contacts: Copper Alloy, Finish: Au Plated Shell: Cold Roll Steel, Finish: Ni Plated	1
3	Rubber Pad	Silicone Color: Black	1
2	Screw Nut	Thermoplastic Color: Black	1
1	Housing	Thermoplastic Color: Black	1
Item	Part Name	Material / Finish	QTY



Wiring Diagram

GTC
DOC.CENTER.ISSUE
AUG.09.2010
ONLY FOR
RELEASE

GT Contact CO.,LTD

NOTICE OF PROPRIETARY PROPERTY:

THE INFORMATION CONTAINED HEREIN IS THE PROPRIETARY PROPERTY OF GT Contact CO.,LTD THE POSSESSOR AGREES TO THE FOLLOWING:
 (1) TO MAINTAIN THIS DOCUMENT IN CONFIDENCE
 (2) NOT TO REPRODUCE OR COPY IT
 (3) NOT TO REVEAL OR PUBLISH IT IN WHOLE OR PART
 (4) ALL RIGHTS RESERVED

TITLE						DRAWING NUMBER			REV.	
RJ45 Plastic C3 Shielded Cable End Plug Screw						GT125320-02-XX			A0	
	B	1:1	Vicky 08/05/10	Ray 08/05/10	Ray 08/05/10	X.X ± 0.5 X.XX ± 0.2	X.XXX ± 0.05 ANGLES ± 1°	mm	1/1	
THIRD ANGLE PROJECTION	SIZE	SCALE	DRAW / DATE	CHECK / DATE	APPROVE / DATE	TOLERANCES		UNIT	SHEET	