

1

2

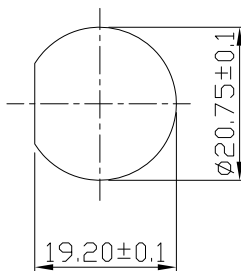
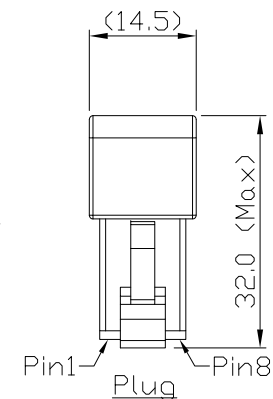
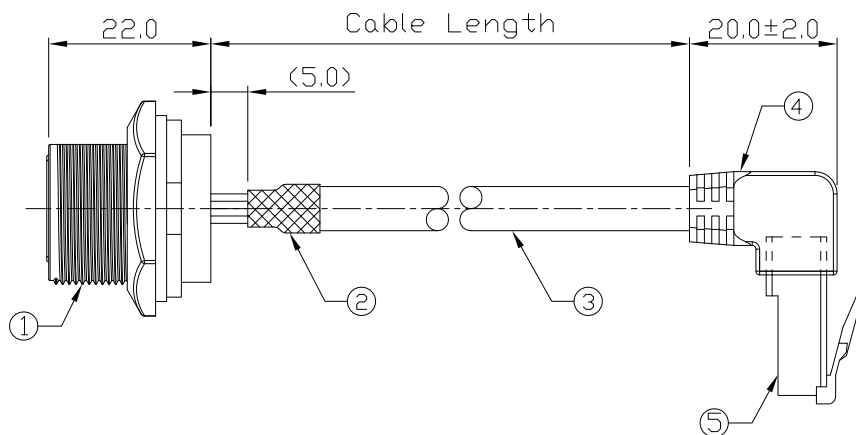
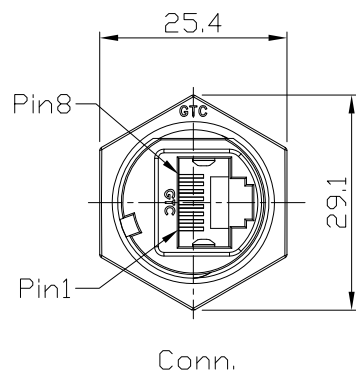
3

4

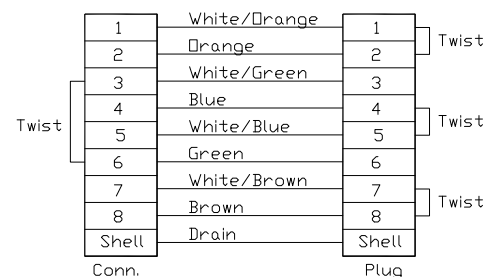
Notes: (Unless Otherwise Specified)

1. Waterproof Rate: IP67.
2. Recommend Panel Thickness: 0.8 to 4.0 mm.
3. Recommend Torque: 14~15 Kgf-cm.
4. Mating Cap P/N: GT1C5331X2.
5. RoHS Compliant.

REV	ECN#	DESCRIPTION OF REVISION	DRAW BY DATE	CHECK BY DATE	APPROVE BY DATE
01			Jenny 02/25/22	Lucas 02/25/22	Ray 02/25/22



Recommended
Panel Cut-Out



Wiring Diagram

GT125300-0U-01	1000 mm	+50
GT125300-0U-29	900 mm	+50
GT125300-0U-28	800 mm	+50
GT125300-0U-27	700 mm	+50
GT125300-0U-26	600 mm	+50
GT125300-0U-25	500 mm	+50
GT125300-0U-24	400 mm	+50
GT125300-0U-23	300 mm	+25
GT125300-0U-22	200 mm	+25
GT125300-0U-21	100 mm	+25
Part No.	Cable Length	Tol.

5	RJ45 Plug	Housing: Thermoplastic; Color: Clean Contacts: Copper Alloy; Finish: Au Plated Shell: Cold Roll Steel; Finish: Ni Plated	1
4	Over Mold	PVC Color: Black	1
3	Cable	CAT5E 24AWG*4P+AL/My+D Color: Black, OD=6.0mm	1
2	Shrink Tube	L=20mm Color: Black	1
1	RJ45 Plastic C3 Shielded Panel Jack Screw	GT Contact P/N: GT125300-0X	1
Item	Part Name	Material / Finish	Qty

TITLE						DRAWING NUMBER			REV.
RJ45 Plastic C3 Shielded Panel Jack Screw With Cable + Right Angle RJ Plug						GT125300-0U-XX			01
THIRD ANGLE PROJECTION	SIZE	SCALE	DRAW / DATE	CHECK / DATE	APPROVE / DATE	TOLERANCES		SHEET	
	B	1:1	Jenny 02/25/22	Lucas 02/25/22	Ray 02/25/22	X.X ± 0.5 X.XX ± 0.2	X.XXX ± 0.05 ANGLES ± 1°	mm 1/1	

GT Contact CO.,LTD

NOTICE OF PROPRIETARY PROPERTY:

THE INFORMATION CONTAINED HEREIN IS THE PROPRIETARY PROPERTY OF GT CONTACT CO.,LTD THE POSSESSOR AGREES TO THE FOLLOWING:
 (A) TO MAINTAIN THIS DOCUMENT IN CONFIDENCE
 (B) NOT TO REPRODUCE OR COPY IT
 (C) NOT TO REVEAL OR PUBLISH IT IN WHOLE OR PART
 (D) ALL RIGHTS RESERVED

1

2

3

4