

1

2

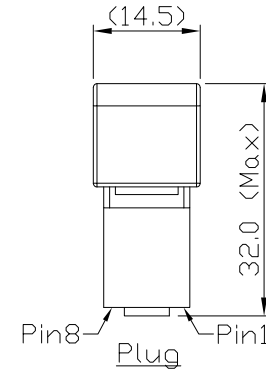
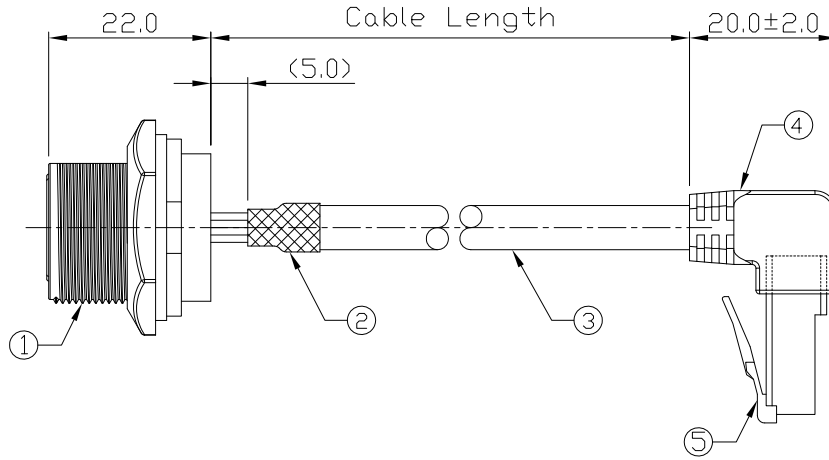
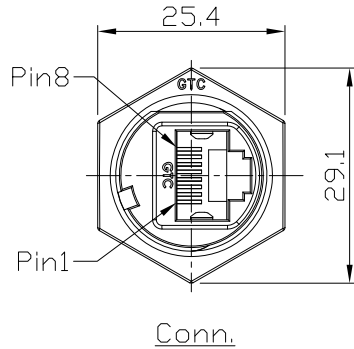
3

4

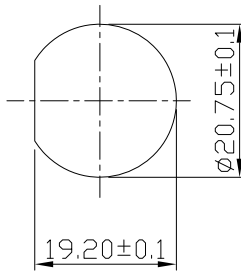
Notes: (Unless Otherwise Specified)

- 1. Waterproof Rate: IP67.
- 2. Recommend Panel Thickness: 0.8 to 4.0 mm.
- 3. Recommend Torque: 14~15 Kgf-cm.
- 4. Mating Cap P/N: GT1C5331X2.
- 5. RoHS Compliant.

REV	ECN#	DESCRIPTION OF REVISION	DRAW BY DATE	CHECK BY DATE	APPROVE BY DATE
01			Jenny 11/15/21	Lucas 11/15/21	Ray 11/15/21



GTC
DOC.CENTER.ISSUE
NOV.16.2021
ONLY FOR
RELEASE



Recommended Panel Cut-Out



Wiring Diagram

Part No.	Cable Length	Tol.
GT125300-0R-01	1000 mm	+50
GT125300-0R-Z9	900 mm	+50
GT125300-0R-Z8	800 mm	+50
GT125300-0R-Z7	700 mm	+50
GT125300-0R-Z6	600 mm	+50
GT125300-0R-Z5	500 mm	+50
GT125300-0R-Z4	400 mm	+50
GT125300-0R-Z3	300 mm	+25
GT125300-0R-Z2	200 mm	+25
GT125300-0R-Z1	100 mm	+25

Item	Part Name	Material / Finish	Qty
5	RJ45 Plug	Housing: Thermoplastic; Color: Clean Contacts: Copper Alloy; Finish: Au Plated Shell: Cold Roll Steel; Finish: Ni Plated	1
4	Over Mold	PVC Color: Black	1
3	Cable	CAT5E 24AWG*4P+AL/My+D Color: Black, OD=6.0mm	1
2	Shrink Tube	L=20mm Color: Black	1
1	RJ45 Plastic C3 Shielded Panel Jack Screw	GT Contact P/N: GT125300-03	1

GT Contact CO.,LTD

NOTICE OF PROPRIETARY PROPERTY:
THE INFORMATION CONTAINED HEREIN IS THE PROPRIETARY PROPERTY OF GT CONTACT CO.,LTD THE POSSESSOR AGREES TO THE FOLLOWING:
(A) TO MAINTAIN THIS DOCUMENT IN CONFIDENCE
(B) NOT TO REPRODUCE OR COPY IT
(C) NOT TO REVEAL OR PUBLISH IT IN WHOLE OR PART
(D) ALL RIGHTS RESERVED

TITLE						DRAWING NUMBER			REV.
RJ45 Plastic C3 Shielded Panel Jack Screw With Cable + Right Angle RJ Plug						GT125300-0R-XX			01
THIRD ANGLE PROJECTION	SIZE	SCALE	DRAW / DATE	CHECK / DATE	APPROVE / DATE	TOLERANCES	UNIT	SHEET	
DD NOT SCALE DRAWINGS	B	1:1	Jenny 11/15/21	Lucas 11/15/21	Ray 11/15/21	X.X ± 0.5 X.XX ± 0.2	X.XXX ± 0.05 ANGLES ± 1°	mm 1/1	

1

2

3

4