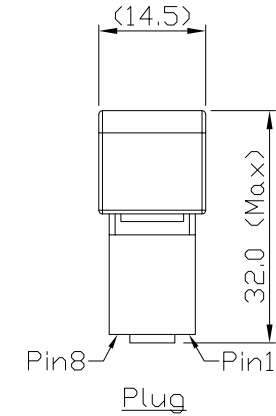
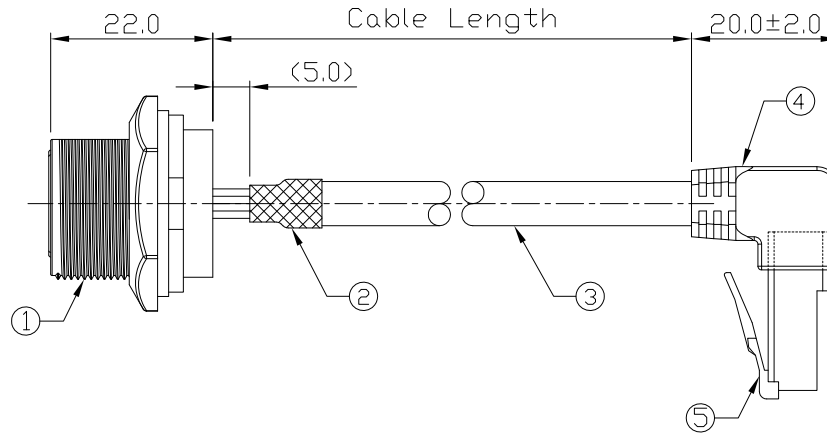
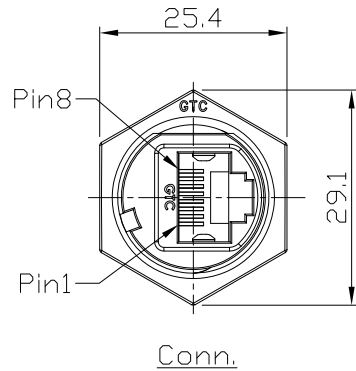


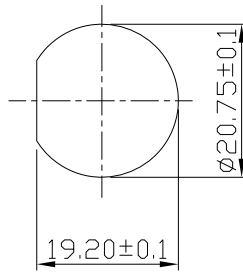
Notes: (Unless Otherwise Specified)

1. Waterproof Rate: IP67.
2. Recommend Panel Thickness: 0.8 to 4.0 mm.
3. Recommend Torque: 14~15 Kgf-cm.
4. Mating Cap P/N: GT1C5331X2.
5. RoHS Compliant.

REV	ECN#	DESCRIPTION OF REVISION	DRAW BY DATE	CHECK BY DATE	APPROVE BY DATE
01			Jenny 02/25/22	Lucas 02/25/22	Ray 02/25/22



GTC
DOC.CENTER.ISSUE
MAR.01.2022
ONLY FOR
RELEASE



Recommended
Panel Cut-Out



Wiring Diagram

Item	Part Name	Material / Finish	Q'ty
5	RJ45 Plug	Housing: Thermoplastic; Color: Clean Contacts: Copper Alloy; Finish: Au Plated Shell: Cold Roll Steel; Finish: Ni Plated	1
4	Over Mold	PVC Color: Black	1
3	Cable	CAT6E 26AWG*4P+Al/My+D Color: Black, OD=6.0mm	1
2	Shrink Tube	L=20mm Color: Black	1
1	RJ45 Plastic C3 Shielded Panel Jack Screw	GT Contact P/N: GT125300-0X	1

GT125300-0H-01	1000 mm	+50
GT125300-0H-Z9	900 mm	+50
GT125300-0H-Z8	800 mm	+50
GT125300-0H-Z7	700 mm	+50
GT125300-0H-Z6	600 mm	+50
GT125300-0H-Z5	500 mm	+50
GT125300-0H-Z4	400 mm	+50
GT125300-0H-Z3	300 mm	+25
GT125300-0H-Z2	200 mm	+25
GT125300-0H-Z1	100 mm	+25
Part No.	Cable Length	Tol.

GT Contact CO.,LTD

NOTICE OF PROPRIETARY PROPERTY:

THE INFORMATION CONTAINED HEREIN IS THE PROPRIETARY PROPERTY OF GT CONTACT CO.,LTD THE POSSESSOR AGREES TO THE FOLLOWING:
(A) TO MAINTAIN THIS DOCUMENT IN CONFIDENCE
(B) NOT TO REPRODUCE OR COPY IT
(C) NOT TO REVEAL OR PUBLISH IT IN WHOLE OR PART
(D) ALL RIGHTS RESERVED

TITLE						DRAWING NUMBER			REV.
RJ45 Plastic C3 Shielded Panel Jack Screw With CAT6 Cable + Right Angle RJ Plug						GT125300-0H-XX			01
THIRD ANGLE PROJECTION	SIZE	SCALE	DRAW / DATE	CHECK / DATE	APPROVE / DATE	TOLERANCES	UNIT	SHEET	
DD NOT SCALE DRAWINGS	B	1:1	Jenny 02/25/22	Lucas 02/25/22	Ray 02/25/22	X.X ± 0.5 X.XX ± 0.2	X.XXX ± 0.05 ANGLES ± 1°	mm 1/1	