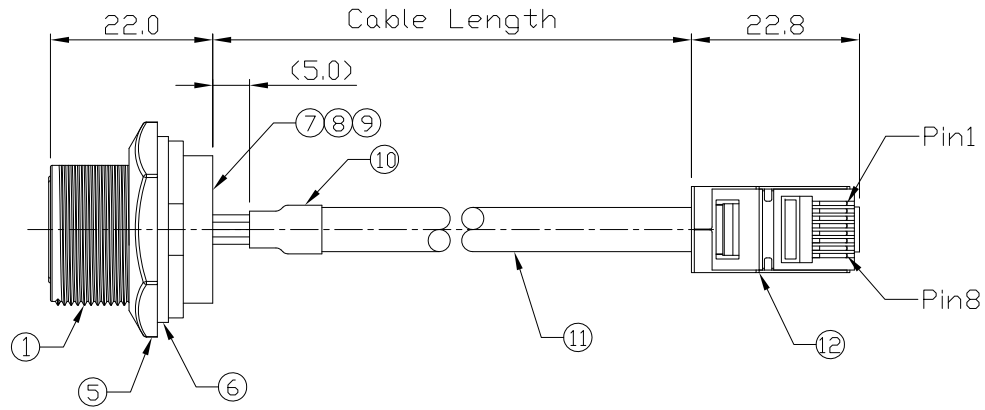
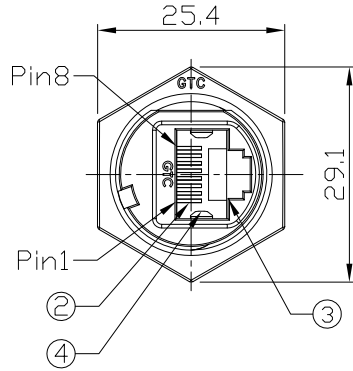


Notes: (Unless Otherwise Specified)

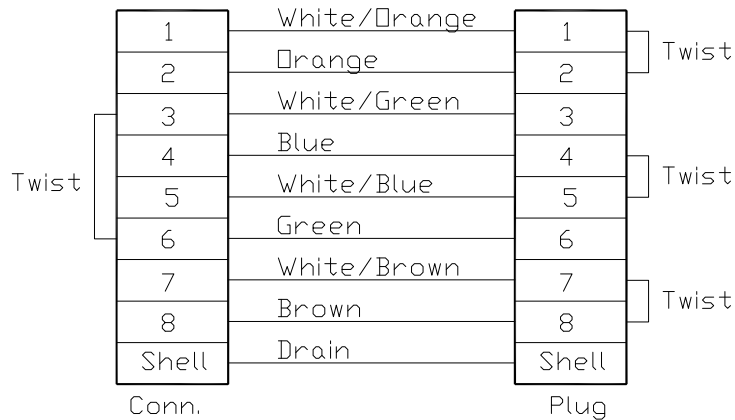
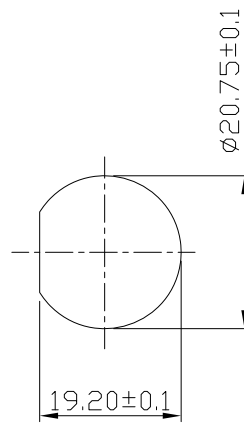
1. Waterproof Rate: IP67.
2. Recommend Panel Thickness: 0.8 to 4.0 mm.
3. Recommend Torque: 14~15 Kgf-cm.
4. Mating Cap P/N: GT1C5331X2.
5. RoHS Compliant.

REV	ECN#	DESCRIPTION OF REVISION	DRAW BY DATE	CHECK BY DATE	APPROVE BY DATE
A1	ECN-190130	Change mfg process to increase potting q'ty.	Whitney 01/30/19	Lucas 01/30/19	Ray 01/30/19

GTC
DOC.CENTER.ISSUE
JAN.30.2019
ONLY FOR
RELEASE



12	RJ45 Plug	Housing: Thermoplastic, Color: Clean Contacts: Copper Alloy, Finish: Au Plated Shell: Cold Roll Steel, Finish: Ni Plated	1
11	Cable	CAT6 26AWG*4P+Al/My+D Color: Black, OD=6.0mm	1
10	Shrink Tube	L=20mm Color: Black	1
9	Glue	Epoxy Color: Black	
8	Pin Header	Housing: Thermoplastic; Color: Black Contacts: Copper Alloy; Finish: Au Plated	1
7	PCB	FR-4 Color: _____	2
6	Gasket	Silicone Color: Black	1
5	Hex Nut	Thermoplastic Color: Black	1
4	EMI Shielded Plate	Copper Alloy Finish: Ni Plated	2
3	Holder	Thermoplastic Color: Black	1
2	RJ45 Receptacle	Housing: Thermoplastic; Color: Gray Contacts: Copper Alloy; Finish: Au Plated	1
1	Housing	Thermoplastic Color: Black	1
Item	Part Name	Material / Finish	Q'ty



Part No.	Cable Length	Tol.
GT125300-0A-01	1000 mm	±50
GT125300-0A-Z9	900 mm	±40
GT125300-0A-Z8	800 mm	±40
GT125300-0A-Z7	700 mm	±40
GT125300-0A-Z6	600 mm	±40
GT125300-0A-Z5	500 mm	±40
GT125300-0A-Z4	400 mm	±20
GT125300-0A-Z3	300 mm	±20
GT125300-0A-Z2	200 mm	±10
GT125300-0A-Z1	100 mm	±10

TITLE						DRAWING NUMBER			REV.	
RJ45 Plastic C3 Shielded Panel Jack Screw With CAT6 + RJ Plug						GT125300-0A-XX			A1	
THIRD ANGLE PROJECTION	SIZE	SCALE	DRAW / DATE	CHECK / DATE	APPROVE / DATE	TOLERANCES		UNIT	SHEET	
	B	1:1	Lucas 07/22/15	Lucas 07/22/15	Ray 07/22/15	X.X ± 0.5 X.XX ± 0.2	X.XXX ± 0.05 ANGLES ± 1°	mm	1/1	

GT Contact CO.,LTD

NOTICE OF PROPRIETARY PROPERTY:
THE INFORMATION CONTAINED HEREIN IS THE PROPRIETARY PROPERTY OF GT Contact CO.,LTD THE POSSESSOR AGREES TO THE FOLLOWING:
(1) TO MAINTAIN THIS DOCUMENT IN CONFIDENCE
(2) NOT TO REPRODUCE OR COPY IT
(3) NOT TO REVEAL OR PUBLISH IT IN WHOLE OR PART
(4) ALL RIGHTS RESERVED