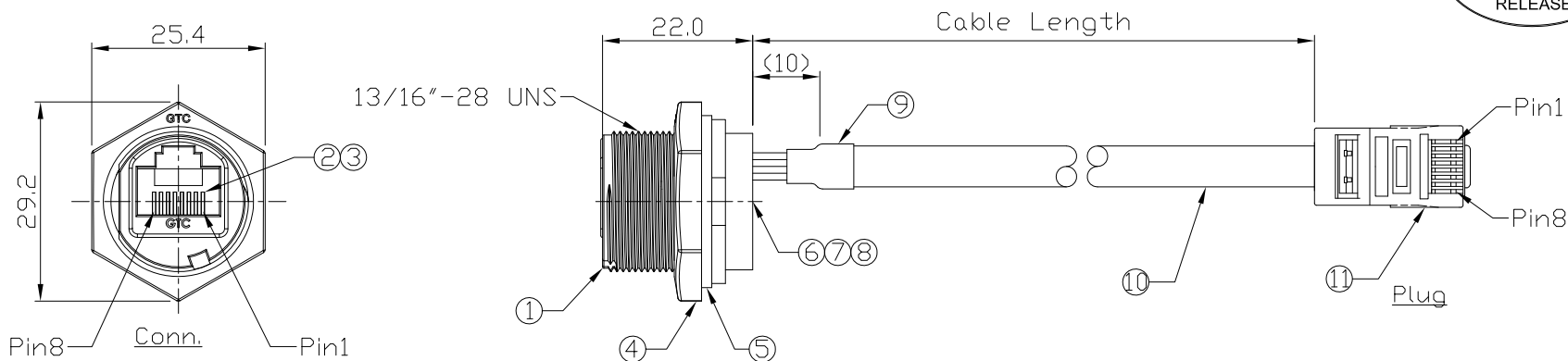
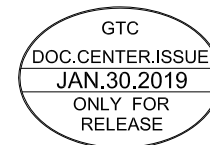


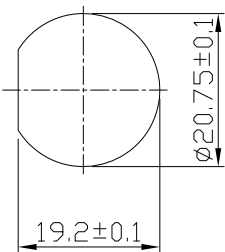
Notes: (Unless Otherwise Specified)

- 1. Waterproof Rate: IP67.
- 2. Recommend Panel Thickness: 0.8 to 6.0 mm.
- 3. Recommend Torque: 14~15 Kgf-cm.
- 4. Mating Cap P/N: GT1C5331X2.
- 5. RoHS Compliant.

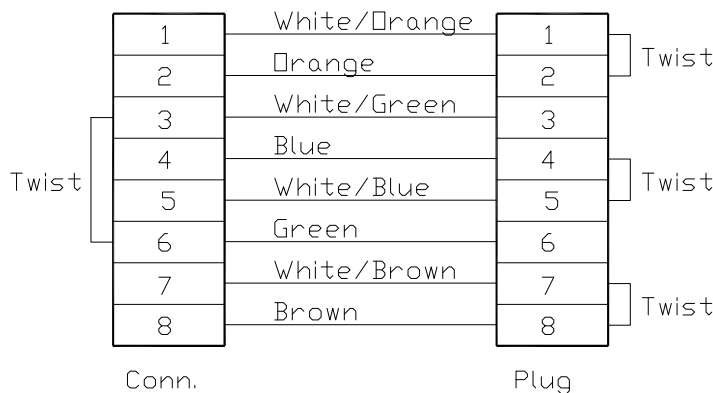
REV	ECN#	DESCRIPTION OF REVISION	DRAW BY DATE	CHECK BY DATE	APPROVE BY DATE
A3	ECN-190131	Change mfg process to increase potting q'ty.	Whitney 01/29/19	Lucas 01/29/19	Ray 01/29/19



11	RJ45 Plug	Contacts: Copper Alloy, Finish: Au Plated Housing: Thermoplastic, Color: Clean	1
10	Cable	CAT5E(UTP) 24AWG*4P, OD=5.4mm Color: Gray	1
9	Shrink Tube	L=20mm Color: Black	1
8	Glue	Epoxy Color: Black	
7	Pin Header	Contacts: Copper Alloy, Finish: Au Plated Housing: Thermoplastic, Color: Black	1
6	PCB	FR-4 Color: -	2
5	Gasket	Silicone Color: Black	1
4	Hex Nut	Thermoplastic Color: Black	1
3	Holder	Thermoplastic Color: Black	1
2	RJ45 Receptacle	Contacts: Copper Alloy, Finish: Au Plated Housing: Thermoplastic, Color: Gray	1
1	Housing	Thermoplastic Color: Black	1
Item	Part Name	Material / Finish	Q'ty



Recommend Panel Cut-Out



Wiring Diagram

GT121300-0B-01	1000 mm	±50
GT121300-0B-Z9	900 mm	±40
GT121300-0B-Z8	800 mm	±40
GT121300-0B-Z7	700 mm	±40
GT121300-0B-Z6	600 mm	±40
GT121300-0B-Z5	500 mm	±40
GT121300-0B-Z4	400 mm	±20
GT121300-0B-Z3	300 mm	±20
GT121300-0B-Z2	200 mm	±10
GT121300-0B-Z1	100 mm	±10
Part No.	Cable Length	Tol.

GT Contact CO.,LTD

NOTICE OF PROPRIETARY PROPERTY:  
 THE INFORMATION CONTAINED HEREIN IS THE PROPRIETARY PROPERTY OF GT Contact CO.,LTD THE POSSESSOR AGREES TO THE FOLLOWING:  
 (A) TO MAINTAIN THIS DOCUMENT IN CONFIDENCE  
 (B) NOT TO REPRODUCE OR COPY IT  
 (C) NOT TO REVEAL OR PUBLISH IT IN WHOLE OR PART  
 (D) ALL RIGHTS RESERVED

TITLE						DRAWING NUMBER			REV.
RJ45 Plastic C3 Panel Jack Screw With UTP Cable +RJ Plug						GT121300-0B-XX			A3
	B	1:1	Joyce 03/12/12	Lucas 03/12/12	Ray 03/12/12	X.X ± 0.5 X.XX ± 0.2	X.XXX ± 0.05 ANGLES ± 1°	mm	1/1
THIRD ANGLE PROJECTION	SIZE	SCALE	DRAW / DATE	CHECK / DATE	APPROVE / DATE	TOLERANCES		UNIT	SHEET