

1

2

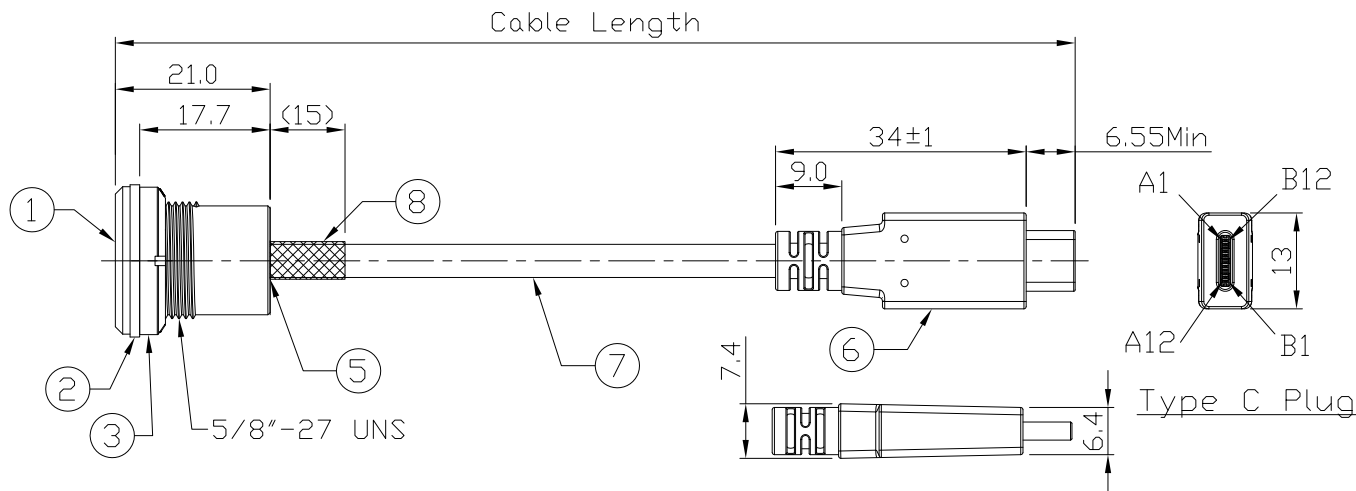
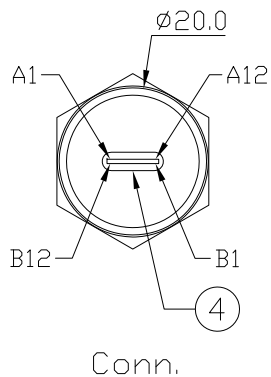
3

4

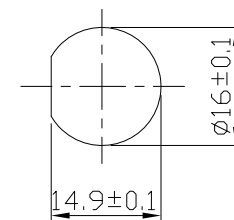
Notes: (Unless Otherwise Specified)

- 1. Waterproof Rate: IP67.
- 2. Recommend Panel Thickness: 0.8 to 3.0 mm.
- 3. Recommend Torque: 9~10 Kgf-cm.
- 4. RoHS Compliant.
- 5. Type C - Pin Out Is The Same As This Drawing.
- 6. UL Certification file #E364108.

REV	ECN#	DESCRIPTION OF REVISION	DRAW BY DATE	CHECK BY DATE	APPROVE BY DATE
A0			Jenny 05/11/22	Lucas 05/11/22	Ray 05/11/22



GT11C401-01-02(S)	2000 mm	+100
GT11C401-01-01(S)	1000 mm	+50
GT11C401-01-Z9(S)	900 mm	+50
GT11C401-01-Z8(S)	800 mm	+50
GT11C401-01-Z7(S)	700 mm	+50
GT11C401-01-Z6(S)	600 mm	+50
GT11C401-01-Z5(S)	500 mm	+50
GT11C401-01-Z4(S)	400 mm	+50
GT11C401-01-Z3(S)	300 mm	+25
GT11C401-01-Z2(S)	200 mm	+25
GT11C401-01-Z1(S)	100 mm	+25
Part No.	Cable Length	Tol.



Recommend Panel Cut-Out

Item	Part Name	Material / Finish	Qty
8	Shrink Tube	L=20mm, Heat Shrink Tube With Adhesive Lined Color: Black	1
7	Cable	UL21572 (1P/32#+EAM)*4+(1P/32#+A)+(4C/32#+)(1C/24#+)+2EAB 85% OD:4.8mm Black TPE Jacket.	1
6	Over Mold	PVC Color: Black	1
5	Glue	Epoxy Color: Black	
4	USB Type C 3.1	Housing: Thermoplastic, Color: Black Contacts: Copper Alloy, Finish: Au Plated Shell: Stainless Steel, Finish: Au Plated	2
3	Spanner Nut	Thermoplastic Color: Black	1
2	Gasket	Silicone Color: Black	1
1	Housing	Thermoplastic Color: Black	1

TITLE						DRAWING NUMBER			REV.
USB 3.1 Type C Plastic C2 Panel Jack With Type C Plug + Spanner nut						GT11C401-01-XX(S)			A0
	B	1:1	Jenny 05/11/22	Lucas 05/11/22	Ray 05/11/22	X.X ± 0.5 X.XX ± 0.2	X.XXX ± 0.05 ANGLES ± 1°	mm	1/2
THIRD ANGLE PROJECTION	SIZE	SCALE	DRAW / DATE	CHECK / DATE	APPROVE / DATE	TOLERANCES		UNIT	SHEET

GT Contact CO.,LTD

NOTICE OF PROPRIETARY PROPERTY:
THE INFORMATION CONTAINED HEREIN IS THE PROPRIETARY PROPERTY OF GT Contact CO.,LTD THE POSSESSOR AGREES TO THE FOLLOWING:
(A) TO MAINTAIN THIS DOCUMENT IN CONFIDENCE
(B) NOT TO REPRODUCE OR COPY IT
(C) NOT TO REVEAL OR PUBLISH IT IN WHOLE OR PART
(D) ALL RIGHTS RESERVED

1

2

3

4

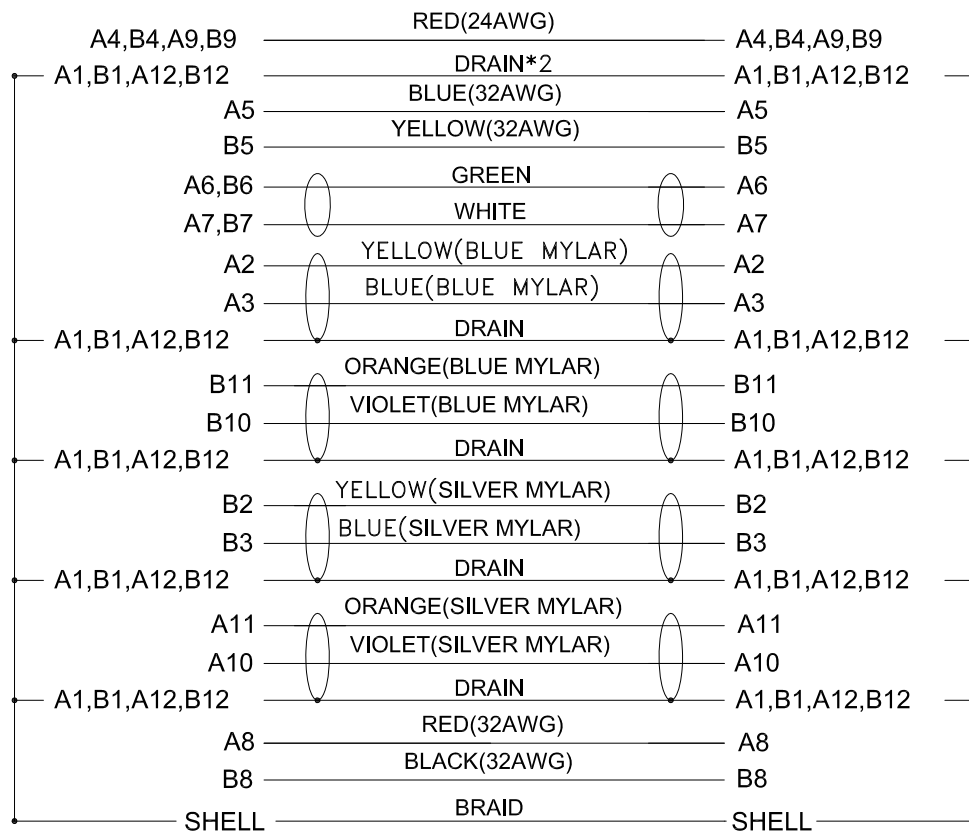
1

2

3

4

REV	ECN#	DESCRIPTION OF REVISION	DRAW BY DATE	CHECK BY DATE	APPROVE BY DATE
A0			Jenny 05/11/22	Lucas 05/11/22	Ray 05/11/22



Conn.

Type C Plug

Wiring Diagram



GT Contact CO.,LTD

TITLE						DRAWING NUMBER			REV.
USB 3.1 Type C Plastic C2 Panel Jack With Type C Plug + Spanner nut						GT11C401-01-XX(S)			A0
	B	1:1	Jenny 05/11/22	Lucas 05/11/22	Ray 05/11/22	X.X ± 0.5 X.XX ± 0.2	X.XXX ± 0.05 ANGLES ± 1°	mm	2/2
THIRD ANGLE PROJECTION	SIZE	SCALE	DRAW / DATE	CHECK / DATE	APPROVE / DATE	TOLERANCES		UNIT	SHEET

NOTICE OF PROPRIETARY PROPERTY:
 THE INFORMATION CONTAINED HEREIN IS THE PROPRIETARY PROPERTY OF GT Contact CO.,LTD THE POSSESSOR AGREES TO THE FOLLOWING:
 (a) TO MAINTAIN THIS DOCUMENT IN CONFIDENCE
 (b) NOT TO REPRODUCE OR COPY IT
 (c) NOT TO REVEAL OR PUBLISH IT IN WHOLE OR PART
 (d) ALL RIGHTS RESERVED

1

2

3

4