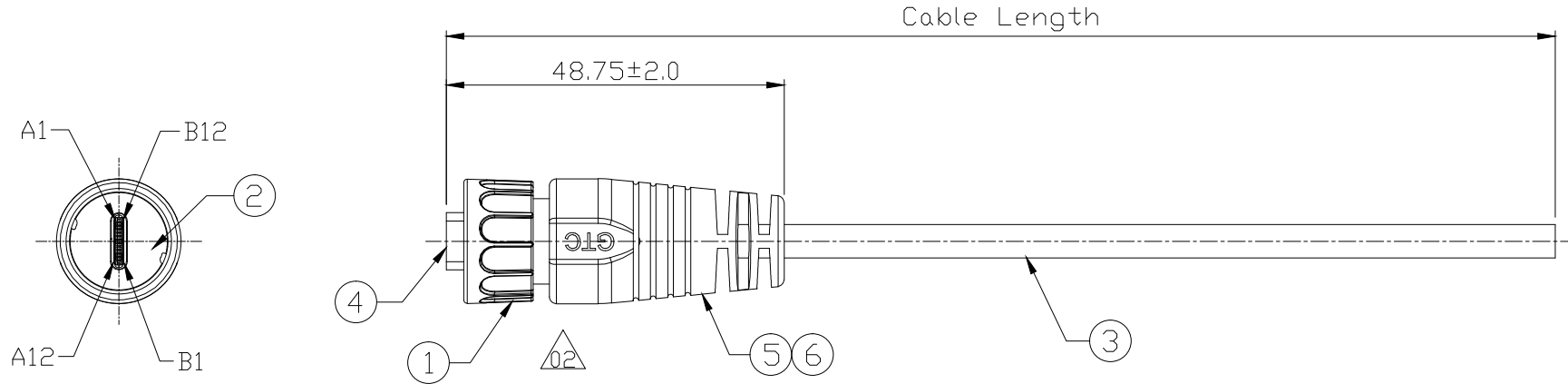


Notes: (Unless Otherwise Specified)

1. Waterproof Rate: IP67.
2. RoHS Compliant.
3. Type C AB面接點需跟圖面一致.
4. UL Certification file #E364108.

REV	ECN#	DESCRIPTION OF REVISION	DRAW BY DATE	CHECK BY DATE	APPROVE BY DATE
02	ECN-201015	Copper foil wrap => metal shell cover	Lucas 10/27/20	Lucas 10/27/20	Ray 10/27/20



6	Over Mold	PVC Color: Black	1
5	Inner Mold	PVC Color: Black	1
4	USB Type C 3.1	Housing: Thermoplastic, Color: Black Contacts: Copper Alloy, Finish: Au Plated Shell: Stainless Steel, Finish: Au Plated	1
3	Cable	UL21572(1P/32#+EAM)*4+(1P/32#+A)+(4C/32#)+(1C/24#)+2EAB 85% OD:4.8mm BLACK TPE JACKET.	1
2	Rubber Pad	Silicone Color: Black	1
1	Lock Nut	Thermoplastic Color: Black	1
Item	Part Name	Material / Finish	Q'ty

GTC
DOC.CENTER.ISSUE
AUG.09.2021
ONLY FOR
RELEASE

GT11C220-03-03	3000 mm	+100
GT11C220-03-02	2000 mm	+100
GT11C220-03-01	1000 mm	+50
GT11C220-03-Z9	900 mm	+50
GT11C220-03-Z8	800 mm	+50
GT11C220-03-Z7	700 mm	+50
GT11C220-03-Z6	600 mm	+50
GT11C220-03-Z5	500 mm	+50
GT11C220-03-Z4	400 mm	+50
GT11C220-03-Z3	300 mm	+25
GT11C220-03-Z2	200 mm	+25
Part No.	Cable Length	Tol.

TITLE						DRAWING NUMBER			REV.	
USB 3.1 Type C Plastic C2 Cable End Plug Lock With Cable						GT11C220-03-XX			02	
 DO NOT SCALE DRAWINGS		B	1:1	Aileen 06/20/20	Lucas 06/20/20	Ray 06/20/20	X.X ± 0.5 X.XX ± 0.2	X.XXX ± 0.05 ANGLES ± 1°	mm	1/3
THIRD ANGLE PROJECTION	SIZE	SCALE	DRAW / DATE	CHECK / DATE	APPROVE / DATE	TOLERANCES		UNIT	SHEET	

GT Contact CO.,LTD

NOTICE OF PROPRIETARY PROPERTY:
THE INFORMATION CONTAINED HEREIN IS THE PROPRIETARY PROPERTY OF GT Contact CO.,LTD THE POSSESSOR AGREES TO THE FOLLOWING:
(i) TO MAINTAIN THIS DOCUMENT IN CONFIDENCE
(ii) NOT TO REPRODUCE OR COPY IT
(iii) NOT TO REVEAL OR PUBLISH IT IN WHOLE OR PART
(iv) ALL RIGHTS RESERVED

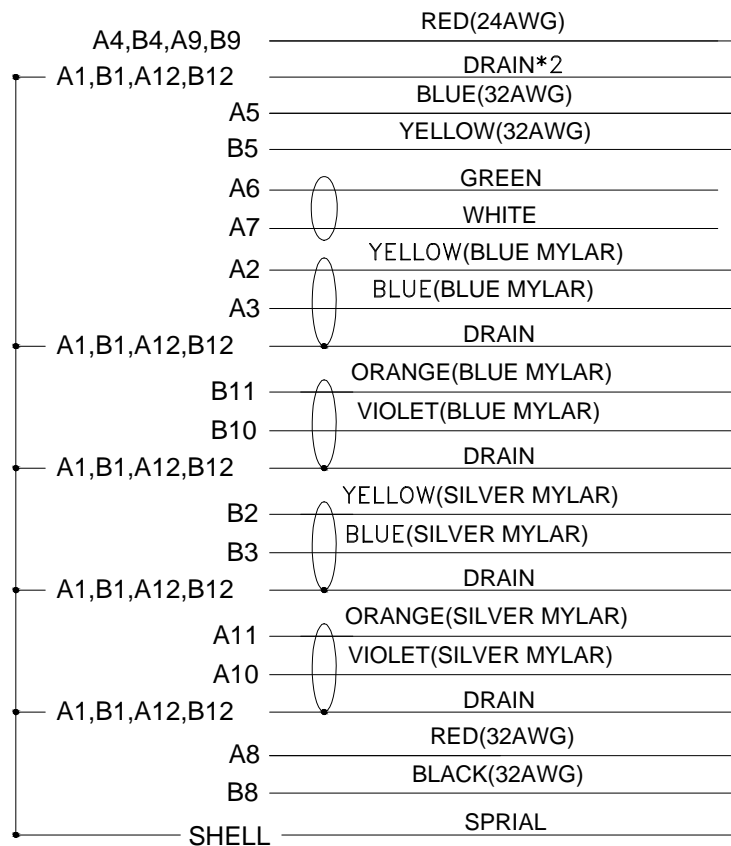
1

2

3

4

REV	ECN#	DESCRIPTION OF REVISION	DRAW BY DATE	CHECK BY DATE	APPROVE BY DATE
02	ECN-201015	Copper foil wrap => metal shell cover	Lucas 10/27/20	Lucas 10/27/20	Ray 10/27/20



Wiring Diagram

GTC
 DOC.CENTER.ISSUE
 AUG.09.2021
 ONLY FOR
 RELEASE

GT Contact CO.,LTD

TITLE					DRAWING NUMBER			REV.	
USB 3.1 Type C Plastic C2 Cable End Plug Lock With Cable					GT11C220-03-XX			02	
	B	1:1	Aileen 06/20/20	Lucas 06/20/20	Ray 06/20/20	X.X ± 0.5 X.XX ± 0.2	X.XXX ± 0.05 ANGLES ± 1°	mm	2/3
THIRD ANGLE PROJECTION	SIZE	SCALE	DRAW / DATE	CHECK / DATE	APPROVE / DATE	TOLERANCES		UNIT	SHEET

NOTICE OF PROPRIETARY PROPERTY:
 THE INFORMATION CONTAINED HEREIN IS THE PROPRIETARY PROPERTY OF GT CONTACT CO.,LTD THE POSSESSOR AGREES TO THE FOLLOWING:
 (i) TO MAINTAIN THIS DOCUMENT IN CONFIDENCE
 (ii) NOT TO REPRODUCE OR COPY IT
 (iii) NOT TO REVEAL OR PUBLISH IT IN WHOLE OR PART
 (iv) ALL RIGHTS RESERVED

1

2

3

4

1

2

3

4

REV	ECN#	DESCRIPTION OF REVISION	DRAW BY DATE	CHECK BY DATE	APPROVE BY DATE
02	ECN-201015	Copper foil wrap => metal shell cover	Lucas 10/27/20	Lucas 10/27/20	Ray 10/27/20

*****CONSTRUCTION:**

1.CABLE:

* UL21572(1P/32#+EAM)*4+(1P/32#+A)+(4C/32#)+(1C/24#)+2EAB 85%
 OD:4.8mm BLACK TPE JACKET.

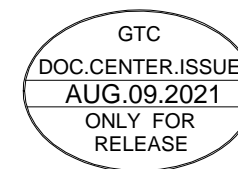
*****CONNECTOR:**

2.USB C/M:

* USB TYPE C MALE SOLDER TYPE,PCB WITHOUT IC,
 * PINS: 30u GOLD PLATED OVER NICKEL.
 * INSULATOR: BLACK THERMOPLASTIC 94V-0.
 * SHELL: STEEL WITH GOLD PLATED.
 * COVER: STEEL WITH NI PLATED.
 * CAPACITOR.
 * MOLDED: BLACK PVC 45P.

3.TEST:

* CT: 2 ohm IS: 5M ohm



GT Contact CO.,LTD

TITLE USB 3.1 Type C Plastic C2 Cable End Plug Lock With Cable				DRAWING NUMBER GT11C220-03-XX			REV. 02		
	B	1:1	Aileen 06/20/20	Lucas 06/20/20	Ray 06/20/20	X.X ± 0.5 X.XX ± 0.2	X.XXX ± 0.05 ANGLES ± 1°	mm	3/3
THIRD ANGLE PROJECTION	SIZE	SCALE	DRAW / DATE	CHECK / DATE	APPROVE / DATE	TOLERANCES		UNIT	SHEET

NOTICE OF PROPRIETARY PROPERTY:
 THE INFORMATION CONTAINED HEREIN IS THE PROPRIETARY PROPERTY OF GT Contact CO.,LTD THE POSSESSOR AGREES TO THE FOLLOWING:
 (i) TO MAINTAIN THIS DOCUMENT IN CONFIDENCE
 (ii) NOT TO REPRODUCE OR COPY IT
 (iii) NOT TO REVEAL OR PUBLISH IT IN WHOLE OR PART
 (iv) ALL RIGHTS RESERVED

1

2

3

4