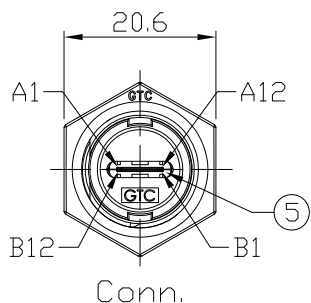


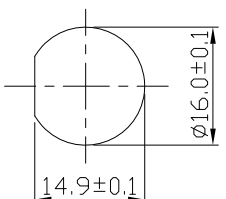
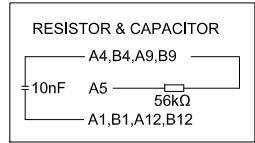
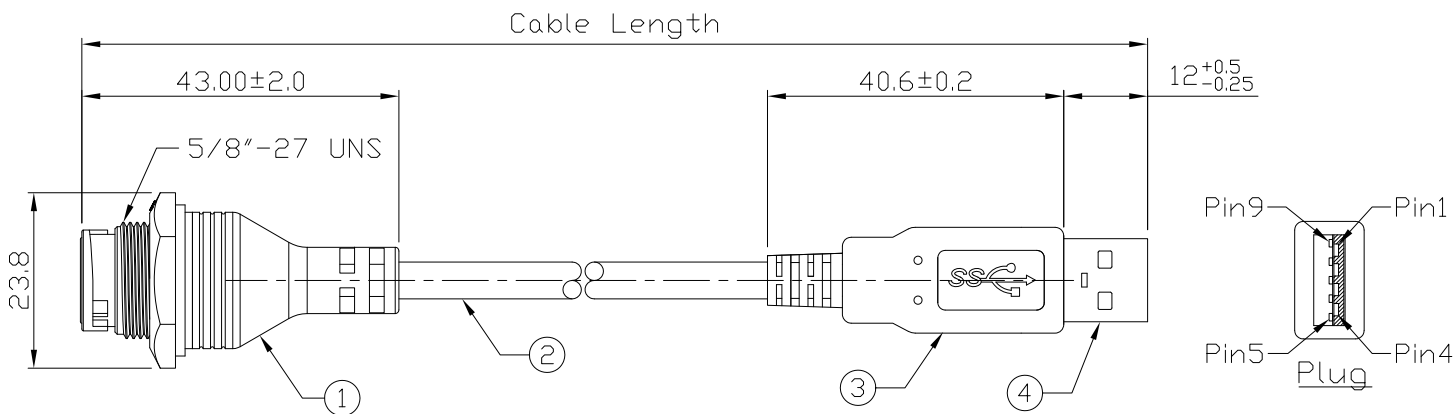
Notes: (Unless Otherwise Specified)

1. Waterproof Rate: IP67.
2. Recommend Panel Thickness: 0.8 to 3.0 mm.
3. Recommend Torque: 9~10 Kgf-cm.
4. Mating Cap P/N: GT1C1210X2.
5. Contact A And B Of Type C Must Be The Same As Drawing.
6. UL Certification file #E364108.
7. RoHS Compliant.

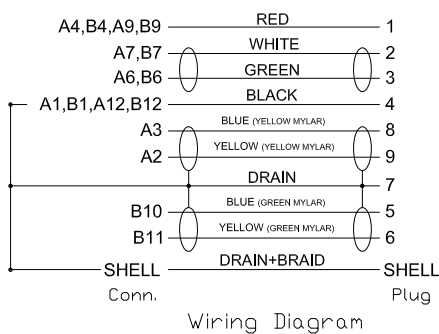
REV	ECN#	DESCRIPTION OF REVISION	DRAW BY DATE	CHECK BY DATE	APPROVE BY DATE
02	ECN-231118	Change USB Type C Female	Jenny 11/29/23	Hank 11/29/23	Lucas 11/29/23



GTC
DOC.CENTER.ISSUE
DEC.01.2023
ONLY FOR
RELEASE



Recommend
Panel Cut-Out



Part No.	Cable Length	Tol.
GT11C210-04-03	3000 mm	+100
GT11C210-04-02	2000 mm	+100
GT11C210-04-01	1000 mm	+50
GT11C210-04-Z9	900 mm	+50
GT11C210-04-Z8	800 mm	+50
GT11C210-04-Z7	700 mm	+50
GT11C210-04-Z6	600 mm	+50
GT11C210-04-Z5	500 mm	+50
GT11C210-04-Z4	400 mm	+50
GT11C210-04-Z3	300 mm	+25
GT11C210-04-Z2	200 mm	+25

Item	Part Name	Material / Finish	Q'ty
5	TYPE C Female	USB TYPE C FEMALE, SOLDER TYPE, RESISTOR(56KΩ) PINS: 30μ GOLD PLATED OVER NICKEL. INSULATOR: BLACK COLOR P.B.T UL 94V-0 RATED SHELL: STEEL WITH GOLD FLASH	1
4	USB-A 3.0 Plug	USB A "3.0" TYPE 9PIN MALE SOLDER TYPE. PINS: 30μ GOLD PLATED OVER NICKEL. INSULATOR: BLUE COLOR P.B.T UL 94V-0 RATED. SHELL: STEEL WITH NICKEL PLATED.	1
3	Over Mold	PVC Color: Black	1
2	Cable	UL2725 (1P/30#+EAM)*2+(1P/30#+)C2/24#+AEB(AL)65% OD:5.0mm BLACK PVC JACKET.	1
1	USB 3.1 Type C Plastic C2 Cable To Cable Jack Lock	GT Contact P/N: GT11C210-XX-XX	1

TITLE						DRAWING NUMBER			REV.	
USB 3.1 Type C Plastic C2 Cable To Cable Jack Lock With USB-A 3.0 Plug						GT11C210-04-XX			02	
THIRD ANGLE PROJECTION	SIZE	SCALE	DRAW / DATE	CHECK / DATE	APPROVE / DATE	TOLERANCES	UNIT	SHEET		
DD NOT SCALE DRAWINGS	B	1:1	Aileen 02/09/21	Lucas 02/09/21	Ray 02/09/21	X.X ± 0.5 X.XX ± 0.2	mm	X.XXX ± 0.05 ANGLES ± 1°	1/1	

GT Contact CO.,LTD

NOTICE OF PROPRIETARY PROPERTY:
THE INFORMATION CONTAINED HEREIN IS THE PROPRIETARY PROPERTY OF GT CONTACT CO.,LTD THE POSSESSOR AGREES TO THE FOLLOWING:
(1) TO MAINTAIN THIS DOCUMENT IN CONFIDENCE
(2) NOT TO REPRODUCE OR COPY IT
(3) NOT TO REVEAL OR PUBLISH IT IN WHOLE OR PART
(4) ALL RIGHTS RESERVED