

1

2

3

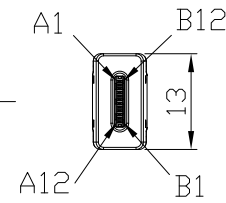
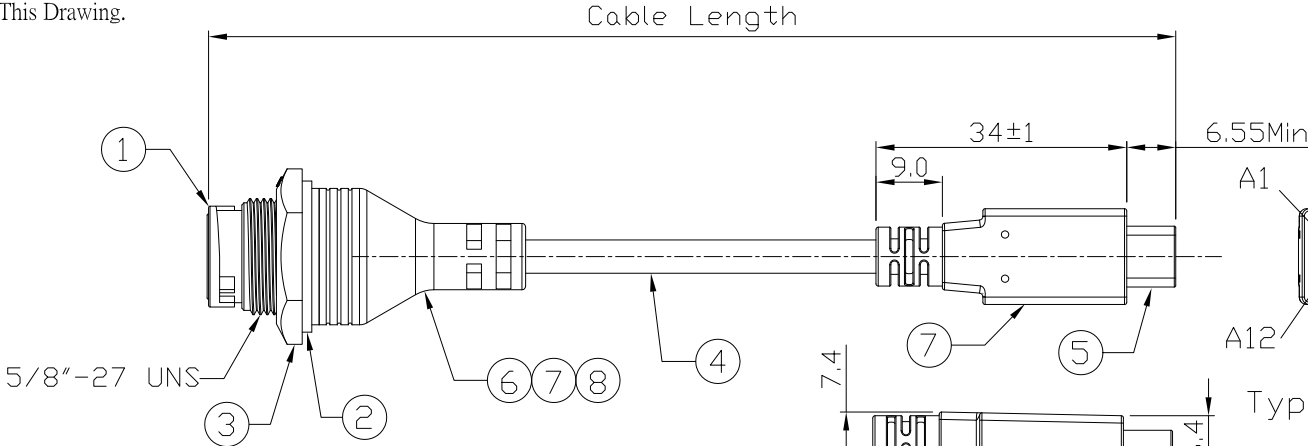
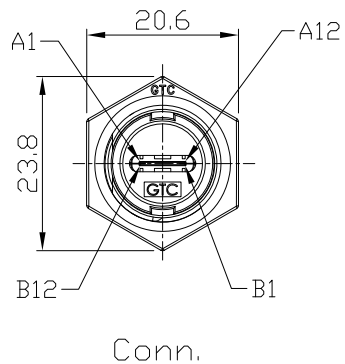
4

Notes: (Unless Otherwise Specified)

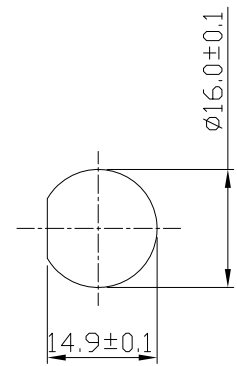
- 1. Waterproof Rate: IP67.
- 2. Recommend Panel Thickness: 0.8 to 3.0 mm.
- 3. Recommend Torque: 9~10 Kgf-cm.
- 4. Mating Cap P/N: GT1C1210X2.
- 5. RoHS Compliant.
- 6.Type C - Pin Out Is The Same As This Drawing.
- 7. UL Certification file #E364108.

REV	ECN#	DESCRIPTION OF REVISION	DRAW BY DATE	CHECK BY DATE	APPROVE BY DATE
07	ECN-201015	Copper foil wrap => metal shell cover	Lucas 10/27/20	Lucas 10/27/20	Ray 10/27/20

GTC
DOC.CENTER.ISSUE
OCT.29.2020
ONLY FOR
RELEASE



Type C Plug



Recommend Panel Cut-Out

GT11C210-01-02	2000 mm	+100
GT11C210-01-01	1000 mm	+50
GT11C210-01-Z9	900 mm	+50
GT11C210-01-Z8	800 mm	+50
GT11C210-01-Z7	700 mm	+50
GT11C210-01-Z6	600 mm	+50
GT11C210-01-Z5	500 mm	+50
GT11C210-01-Z4	400 mm	+50
GT11C210-01-Z3	300 mm	+25
GT11C210-01-Z2	200 mm	+25
GT11C210-01-Z1	100 mm	+25
Part No.	Cable Length	Tol.

Item	Part Name	Material / Finish	Q'ty
8	Glue	Epoxy Color: Black	
7	Over Mold	PVC Color: Black	2
6	Inner Mold	PVC Color: Black	1
5	USB Type C 3.1	Housing: Thermoplastic, Color: Black Contacts: Copper Alloy, Finish: Au Plated Shell: Stainless Steel, Finish: Au Plated	1
4	Cable	UL21572 (1P/32#+EAM)*4+(1P/32#+A)+(4C/32#)+(1C/24#)+2EAB 85% ØD:4.8mm BLACK TPE JACKET.	1
3	Hex Nut	Thermoplastic Color: Black	1
2	Gasket	Silicone Color: Black	1
1	Housing	Thermoplastic Color: Black	1

TITLE						DRAWING NUMBER			REV.	
USB 3.1 Type C Plastic C2 Cable To Cable Jack Lock With Type C Plug						GT11C210-01-XX			07	
	B	1:1	Lucas 12/20/16	Ray 12/20/16	Ray 12/20/16	X.X ± 0.5 X.XX ± 0.2	X.XXX ± 0.05 ANGLES ± 1°	mm	1/2	
THIRD ANGLE PROJECTION	SIZE	SCALE	DRAW / DATE	CHECK / DATE	APPROVE / DATE	TOLERANCES		UNIT	SHEET	

GT Contact CO.,LTD

NOTICE OF PROPRIETARY PROPERTY:
THE INFORMATION CONTAINED HEREIN IS THE PROPRIETARY PROPERTY OF GT Contact CO.,LTD THE POSSESSOR AGREES TO THE FOLLOWING:
(a) TO MAINTAIN THIS DOCUMENT IN CONFIDENCE
(b) NOT TO REPRODUCE OR COPY IT
(c) NOT TO REVEAL OR PUBLISH IT IN WHOLE OR PART
(d) ALL RIGHTS RESERVED

1

2

3

4

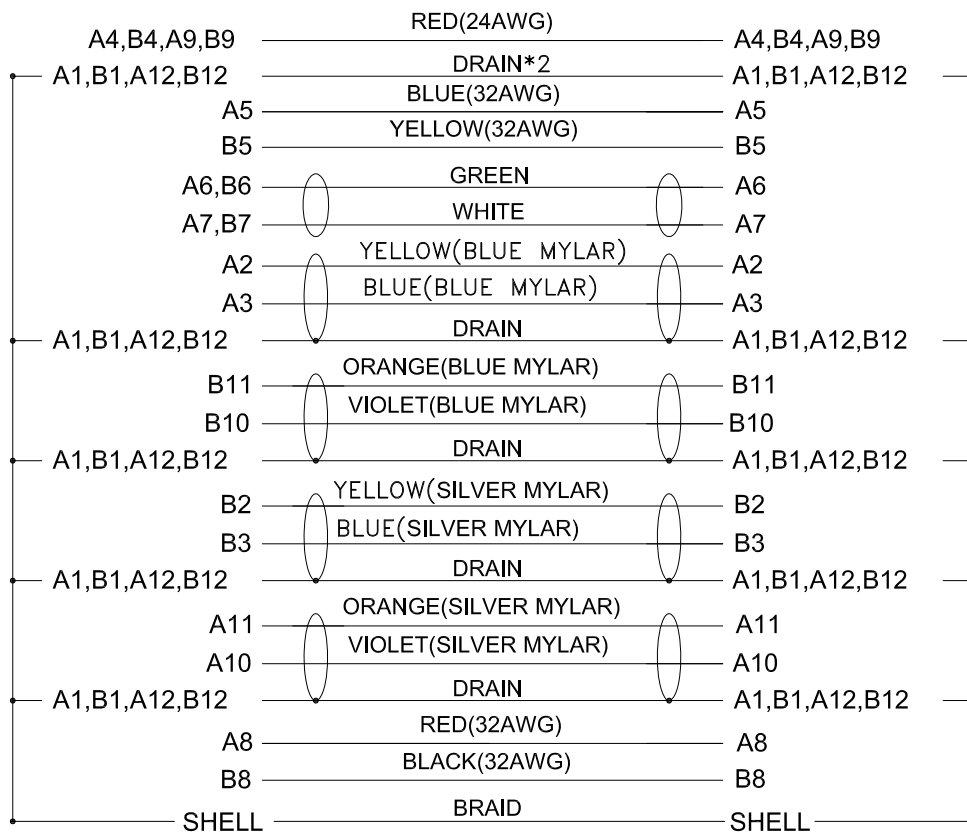
1

2

3

4

REV	ECN#	DESCRIPTION OF REVISION	DRAW BY DATE	CHECK BY DATE	APPROVE BY DATE
07	ECN-201015	Copper foil wrap => metal shell cover	Lucas 10/27/20	Lucas 10/27/20	Ray 10/27/20



Conn.

Type C Plug

Wiring Diagram

GTC
 DOC.CENTER.ISSUE
 OCT.29.2020
 ONLY FOR
 RELEASE

GT Contact CO.,LTD

TITLE USB 3.1 Type C Plastic C2 Cable To Cable Jack Lock With Type C Plug					DRAWING NUMBER GT11C210-01-XX			REV. 07	
	B	1:1	Lucas 12/20/16	Ray 12/20/16	Ray 12/20/16	X.X ± 0.5 X.XX ± 0.2	X.XXX ± 0.05 ANGLES ± 1°	mm	2/2
THIRD ANGLE PROJECTION	SIZE	SCALE	DRAW / DATE	CHECK / DATE	APPROVE / DATE	TOLERANCES		UNIT	SHEET

NOTICE OF PROPRIETARY PROPERTY:
 THE INFORMATION CONTAINED HEREIN IS THE PROPRIETARY PROPERTY OF GT Contact CO.,LTD THE POSSESSOR AGREES TO THE FOLLOWING:
 (i) TO MAINTAIN THIS DOCUMENT IN CONFIDENCE
 (ii) NOT TO REPRODUCE OR COPY IT
 (iii) NOT TO REVEAL OR PUBLISH IT IN WHOLE OR PART
 (iv) ALL RIGHTS RESERVED

1

2

3

4