

1

2

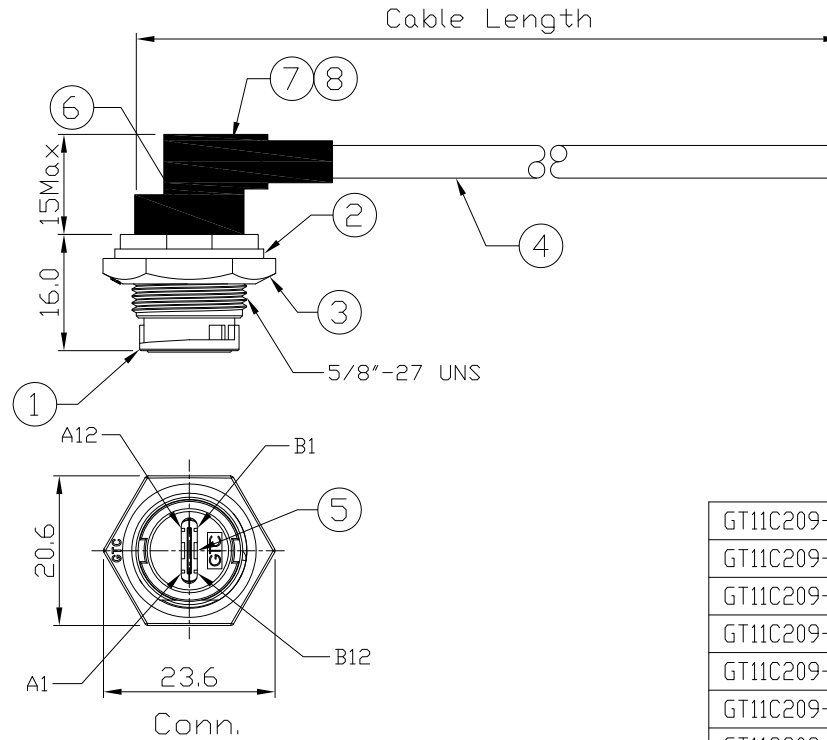
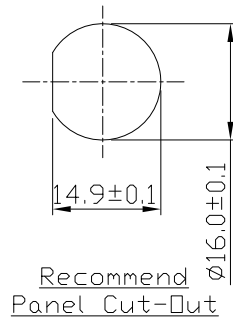
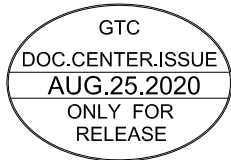
3

4

Notes: (Unless Otherwise Specified)

- 1. Waterproof Rate: IP67.
- 2. Recommend Panel Thickness: 0.8 to 3.0 mm.
- 3. Recommend Torque: 9~10 Kgf-cm.
- 4. Mating Cap P/N: GT1C1210X2.
- 5. RoHS Compliant.
- 6. Type C -Pin out is the same as this drawing.
- 7. UL Certification file #E364108.

REV	ECN#	DESCRIPTION OF REVISION	DRAW BY DATE	CHECK BY DATE	APPROVE BY DATE
02	ECN-200819	Modify Drawing	Lucas 08/24/20	Lucas 08/24/20	Ray 08/24/20



8	Shrink Tube	L=30mm, Heat Shrink Tube With Adhesive Lined Color: Black	1
7	Shrink Tube	L=20mm, Heat Shrink Tube With Adhesive Lined Color: Black	1
6	Glue	Epoxy Color: Black	
5	USB Type C 3.1	Housing: Thermoplastic, Color: Black Contacts: Copper Alloy, Finish: Au Plated Shell: Stainless Steel, Finish: Au Plated	1
4	Cable	UL21572 (1P/32#+EAM)*4+(1P/32#+A)+(4C/32#)+(1C/24#)+2EAB 85% OD:4.8mm BLACK TPE JACKET.	1
3	Hex Nut	Thermoplastic Color: Black	1
2	Gasket	Silicone Color: Black	1
1	Housing	Thermoplastic Color: Black	1
Item	Part Name	Material / Finish	Q'ty

GT11C209-03-02	2000 mm	+100
GT11C209-03-01	1000 mm	+50
GT11C209-03-Z9	900 mm	+50
GT11C209-03-Z8	800 mm	+50
GT11C209-03-Z7	700 mm	+50
GT11C209-03-Z6	600 mm	+50
GT11C209-03-Z5	500 mm	+50
GT11C209-03-Z4	400 mm	+50
GT11C209-03-Z3	300 mm	+25
GT11C209-03-Z2	200 mm	+25
GT11C209-03-Z1	100 mm	+25
Part No.	Cable Length	Tol.

TITLE						DRAWING NUMBER			REV.	
USB 3.1 Type C Plastic C2 Panel Jack Lock Down Angle With Cable						GT11C209-03-XX			02	
THIRD ANGLE PROJECTION		SIZE	SCALE	DRAW / DATE	CHECK / DATE	APPROVE / DATE	TOLERANCES	UNIT	SHEET	
DO NOT SCALE DRAWINGS		B	1:1	Hank 01/16/20	Lucas 01/16/20	Ray 01/16/20	X.X ± 0.5 X.XX ± 0.2	mm	1/2	
							X,XXX ± 0.05 ANGLES ± 1°			

GT Contact CO.,LTD

NOTICE OF PROPRIETARY PROPERTY:  
THE INFORMATION CONTAINED HEREIN IS THE PROPRIETARY PROPERTY OF GT Contact CO.,LTD THE POSSESSOR AGREES TO THE FOLLOWING:  
(1) TO MAINTAIN THIS DOCUMENT IN CONFIDENCE  
(2) NOT TO REPRODUCE OR COPY IT  
(3) NOT TO REVEAL OR PUBLISH IT IN WHOLE OR PART  
(4) ALL RIGHTS RESERVED

1

2

3

4

1

2

3

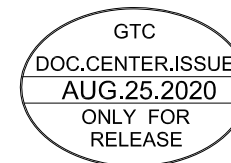
4

REV	ECN#	DESCRIPTION OF REVISION	DRAW BY DATE	CHECK BY DATE	APPROVE BY DATE
02	ECN-200819	Modify Drawing	Lucas 08/24/20	Lucas 08/24/20	Ray 08/24/20

A4,B4,A9,B9	RED(24AWG)
A1,B1,A12,B12	DRAIN*2
A5	BLUE(32AWG)
B5	YELLOW(32AWG)
A6,B6	GREEN
A7,B7	WHITE
A2	YELLOW(BLUE MYLAR)
A3	BLUE(BLUE MYLAR)
A1,B1,A12,B12	DRAIN
B11	ORANGE(BLUE MYLAR)
B10	VIOLET(BLUE MYLAR)
A1,B1,A12,B12	DRAIN
B2	YELLOW(SILVER MYLAR)
B3	BLUE(SILVER MYLAR)
A1,B1,A12,B12	DRAIN
A11	ORANGE(SILVER MYLAR)
A10	VIOLET(SILVER MYLAR)
A1,B1,A12,B12	DRAIN
A8	RED(32AWG)
B8	BLACK(32AWG)
SHELL	BRAID

Conn.

Wiring Diagram



GT Contact CO.,LTD

NOTICE OF PROPRIETARY PROPERTY:  
 THE INFORMATION CONTAINED HEREIN IS THE PROPRIETARY PROPERTY OF GT Contact CO.,LTD THE POSSESSOR AGREES TO THE FOLLOWING:  
 (i) TO MAINTAIN THIS DOCUMENT IN CONFIDENCE  
 (ii) NOT TO REPRODUCE OR COPY IT  
 (iii) NOT TO REVEAL OR PUBLISH IT IN WHOLE OR PART  
 (iv) ALL RIGHTS RESERVED

TITLE					DRAWING NUMBER			REV.	
USB 3.1 Type C Plastic C2 Panel Jack Lock Down Angle With Cable					GT11C209-03-XX			02	
	B	1:1	Hank 01/16/20	Lucas 01/16/20	Ray 01/16/20	X.X ± 0.5 X.XX ± 0.2	X.XXX ± 0.05 ANGLES ± 1°	mm	2/2
THIRD ANGLE PROJECTION	SIZE	SCALE	DRAW / DATE	CHECK / DATE	APPROVE / DATE	TOLERANCES		UNIT	SHEET

1

2

3

4