

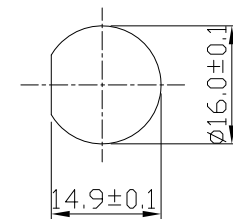
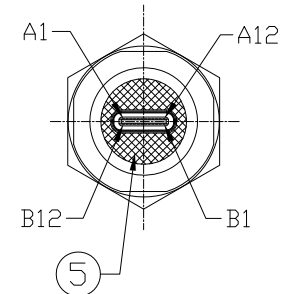
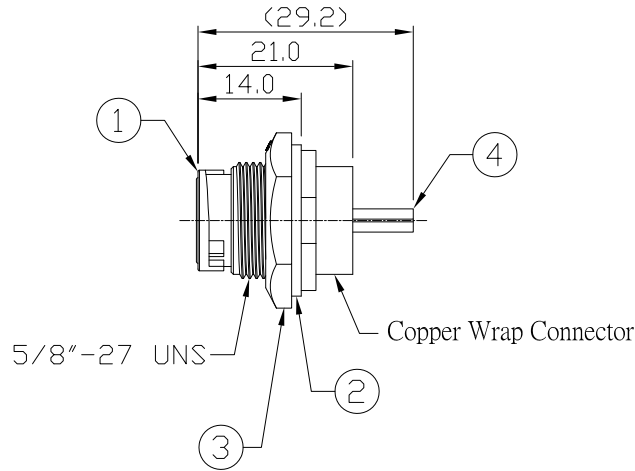
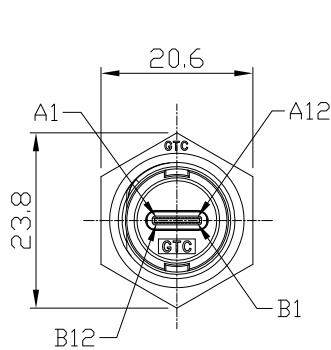
Notes: (Unless Otherwise Specified)

- 1. Waterproof Rate: IP67.
- 2. Recommend Panel Thickness: 0.8 to 3.0 mm.
- 3. Recommend Torque: 9~10 Kgf-cm.
- 4. Mating Cap P/N: GT1C1210X2.
- 5. RoHS Compliant.
- 6. Type C -Pin out is the same as this drawing
- 7. UL Certification file #E364108.

REV	ECN#	DESCRIPTION OF REVISION	DRAW BY DATE	CHECK BY DATE	APPROVE BY DATE
A0			Lucas 04/27/22	Lucas 04/27/22	Ray 04/27/22

PIN OUT

A4,B4,A9,B9	—————	A4,B4,A9,B9
SHELL ,A1,B1,A12,B12	—————	SHELL ,A1,B1,A12,B12
A5	—————	B5
B5	—————	A5
A6,B6	—————	A6,B6
A7,B7	—————	A7,B7
A2	—————	A11
A3	—————	A10
B11	—————	B2
B10	—————	B3
B2	—————	B11
B3	—————	B10
A11	—————	A2
A10	—————	A3
A8	—————	B8
B8	—————	A8



Recommend Panel Cut-Out



Item	Part Name	Material / Finish	Qty
5	Glue	Epoxy Color: Black	
4	USB Type C 3.1	Housing: Thermoplastic, Color: Black	2
		Contacts: Copper Alloy, Finish: Au Plated	
		Shell: Stainless Steel, Finish: Au Plated	
3	Hex Nut	Thermoplastic Color: Black	1
2	Gasket	Silicone Color: Black	1
1	Housing	Thermoplastic Color: Black	1

GT Contact CO.,LTD

NOTICE OF PROPRIETARY PROPERTY:
 THE INFORMATION CONTAINED HEREIN IS THE PROPRIETARY PROPERTY OF GT Contact CO.,LTD THE POSSESSOR AGREES TO THE FOLLOWING:
 (i) TO MAINTAIN THIS DOCUMENT IN CONFIDENCE
 (ii) NOT TO REPRODUCE OR COPY IT
 (iii) NOT TO REVEAL OR PUBLISH IT IN WHOLE OR PART
 (iv) ALL RIGHTS RESERVED

TITLE						DRAWING NUMBER			REV.
USB 3.1 Type C Plastic C2 Panel Jack Lock Coupler						GT11C200-30			A0
	B	1:1	Lucas 04/27/22	Lucas 04/27/22	Ray 04/27/22	X.X ± 0.5 X.XX ± 0.2	X.XXX ± 0.05 ANGLES ± 1°	mm	1/1
THIRD ANGLE PROJECTION	SIZE	SCALE	DRAW / DATE	CHECK / DATE	APPROVE / DATE	TOLERANCES		UNIT	SHEET