

1

2

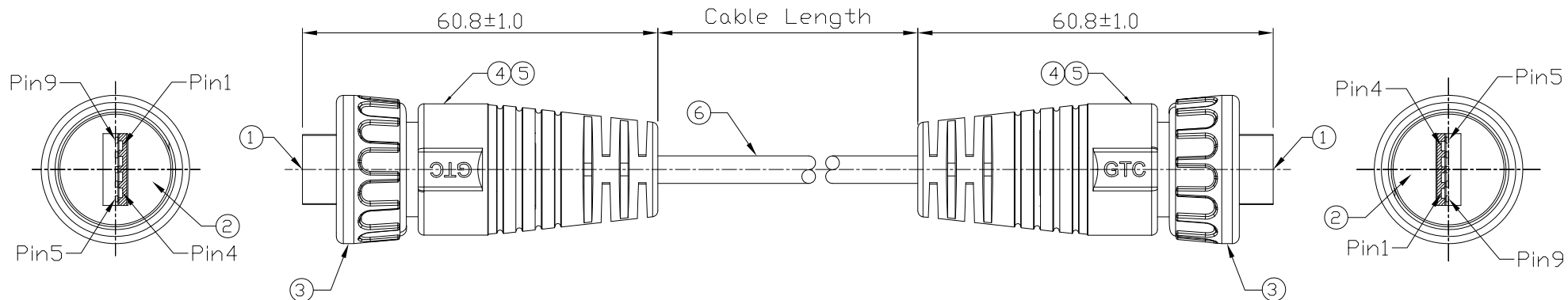
3

4

Notes: (Unless Otherwise Specified)

- 1. Waterproof Rate: IP67.
- 2. RoHS Compliant.

REV	ECN#	DESCRIPTION OF REVISION	DRAW BY DATE	CHECK BY DATE	APPROVE BY DATE
A5	ECN-240625	STEEL WITH NICKEL PALTED=>STEEL WITH Au PALTED	Lucas 06/26/24	Lucas 06/26/24	Ray 06/26/24



GTC
 DOC.CENTER.ISSUE
 JUL.01.2024
 ONLY FOR
 RELEASE

6	Cable	UL2725 (1P*28AWGEAM)*2+(1PR*28AWG+A)+2C*22AWG+AB 85% Color: Black, OD=5.5mm	1
5	Over Mold	PVC Color: Black	2
4	Inner Mold	Thermoplastic Color: Black	2
3	Screw Nut	Thermoplastic Color: Black	2
2	Rubber Pad	Silicone Color: Black	2
1	USB-A 3.0 Plug	Housing: Thermoplastic, Color: Blue Contacts: Copper Alloy, Finish: Au Plated Shell: Cold Roll Steel, Finish: Au Plated	2
Item	Part Name	Material / Finish	Q'ty

1	Red	1
2	White	2
3	Green	3
4	Black	4
5	Blue	8
6	Yellow	9
7	Drain	7
8	Purple	5
9	Orange	6
Shell	Braid	Shell

GT118320-0M-03	3000 mm	+100
GT118320-0M-02	2000 mm	+100
GT118320-0M-01	1000 mm	+50
GT118320-0M-Z9	900 mm	+50
GT118320-0M-Z8	800 mm	+50
GT118320-0M-Z7	700 mm	+50
GT118320-0M-Z6	600 mm	+50
GT118320-0M-Z5	500 mm	+50
GT118320-0M-Z4	400 mm	+50
GT118320-0M-Z3	300 mm	+25
GT118320-0M-Z2	200 mm	+25
Part No.	Cable Length	Tol.

Wiring Diagram

GT Contact CO.,LTD

NOTICE OF PROPRIETARY PROPERTY:

THE INFORMATION CONTAINED HEREIN IS THE PROPRIETARY PROPERTY OF GT CONTACT CO.,LTD THE POSSESSOR AGREES TO THE FOLLOWING:
 (A) TO MAINTAIN THIS DOCUMENT IN CONFIDENCE
 (B) NOT TO REPRODUCE OR COPY IT
 (C) NOT TO REVEAL OR PUBLISH IT IN WHOLE OR PART
 (D) ALL RIGHTS RESERVED

TITLE						DRAWING NUMBER			REV.	
USB-A 3.0 Plastic C3 Cable End Twin-head Plug Screw						GT118320-0M-XX			A5	
THIRD ANGLE PROJECTION	SIZE	SCALE	DRAW / DATE	CHECK / DATE	APPROVE / DATE	TOLERANCES		UNIT	SHEET	
	B	1:1	Joyce 03/25/13	Lucas 03/25/13	Ray 03/25/13	X.X ± 0.5 X.XX ± 0.2	X.XXX ± 0.05 ANGLES ± 1°	mm	1/1	

1

2

3

4