

1

2

3

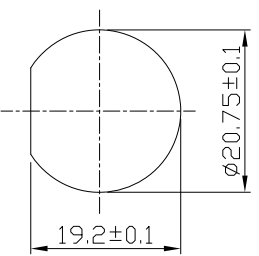
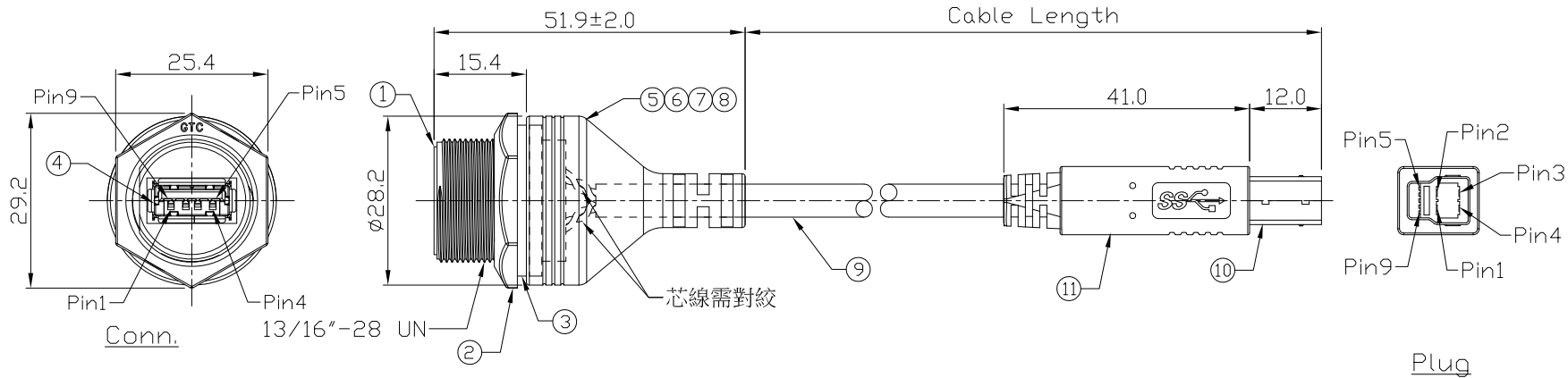
4

Notes: (Unless Otherwise Specified)

- 1. Waterproof Rate: IP67.
- 2. Recommend Panel Thickness: 0.8 to 6.0 mm.
- 3. Recommend Torque: 14~15 Kgf-cm.
- 4. Mating Cap P/N: GT1C5331X2.
- 5. RoHS & REACH Compliant.



REV	ECN#	DESCRIPTION OF REVISION	DRAW BY DATE	CHECK BY DATE	APPROVE BY DATE
A3	ECN-240625	STEEL WITH NICKEL PALTED=>STEEL WITH Au PALTED	Lucas 06/26/24	Lucas 06/26/24	Ray 06/26/24



Recommend Panel Cut-Out

Conn.	Color	Plug
1	Red	1
2	White	2
3	Green	3
4	Black	4
5	Blue	5
6	Yellow	6
7	Drain	7
8	Purple	8
9	Orange	9
Shell	Braid	Shell

Wiring Diagram

Item	Part Name	Material / Finish	Qty
11	Over Mold	PVC Color: Black	1
10	USB-B 3.0 Plug	Housing: Thermoplastic, Color: Blue Contacts: Copper Alloy, Finish: Au Plated Shell: SPCC, Finish: Au Plated	1
9	Cable	UL2725 (1P*28AWG+EAM)*2+(1PR*28AWG+A)+2C*22AWG+AB 85% Color: Black DD=5.5mm	1
8	Over Mold	PVC Color: Black	1
7	Inner Mold	Thermoplastic Color: Black Or White	1
6	Glue	Epoxy Color: Black	1
5	PCB	FR-4 Color: —	1
4	USB-A 3.0 Receptacle	Housing: Thermoplastic, Color: Blue Contacts: Copper Alloy, Finish: Au Plated Shell: Copper Alloy, Finish: Ni Plated	1
3	Gasket	Silicone Color: Black	1
2	Hex Nut	Thermoplastic Color: Black	1
1	Housing	Thermoplastic Color: Black	1

Part No.	Cable Length	Tol.
GT118310-05-02	2000 mm	+100
GT118310-05-01	1000 mm	+50
GT118310-05-29	900 mm	+50
GT118310-05-28	800 mm	+50
GT118310-05-27	700 mm	+50
GT118310-05-26	600 mm	+50
GT118310-05-25	500 mm	+50
GT118310-05-24	400 mm	+50
GT118310-05-23	300 mm	+25
GT118310-05-22	200 mm	+25
GT118310-05-21	100 mm	+25

GT Contact CO.,LTD

NOTICE OF PROPRIETARY PROPERTY:
THE INFORMATION CONTAINED HEREIN IS THE PROPRIETARY PROPERTY OF GT Contact CO.,LTD THE POSSESSOR AGREES TO THE FOLLOWING:
(a) TO MAINTAIN THIS DOCUMENT IN CONFIDENCE
(b) NOT TO REPRODUCE OR COPY IT
(c) NOT TO REVEAL OR PUBLISH IT IN WHOLE OR PART
(d) ALL RIGHTS RESERVED

TITLE						DRAWING NUMBER			REV.	
USB-A 3.0 Plastic C3 Panel Jack Screw With Cable + USB-B 3.0 Plug						GT118310-05-XX			A3	
DD NOT SCALE DRAWINGS	B	N/A	Lucas 05/09/14	Ray 05/09/14	Ray 05/09/14	X.X ± 0.5	X.XXX ± 0.05	mm	1/1	
THIRD ANGLE PROJECTION	SIZE	SCALE	DRAW / DATE	CHECK / DATE	APPROVE / DATE	TOLERANCES		UNIT	SHEET	