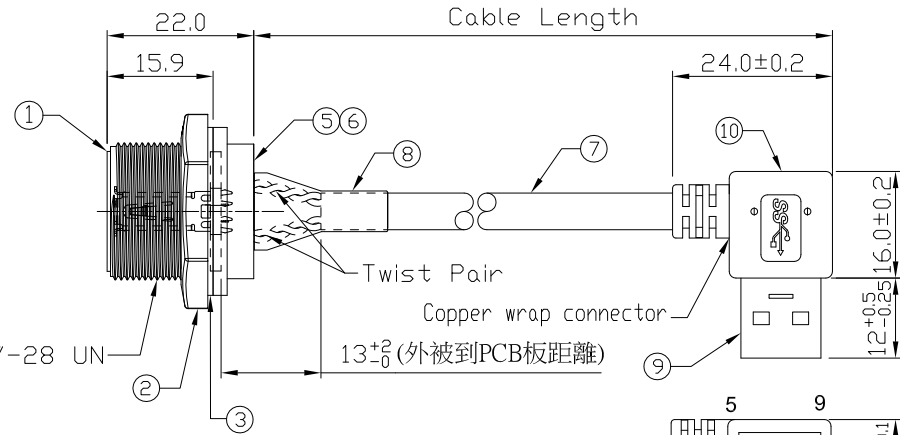
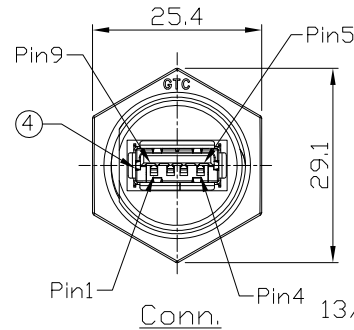


Notes: (Unless Otherwise Specified)

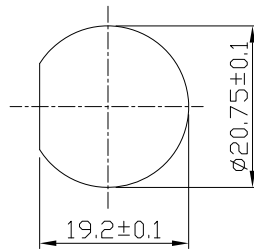
1. Waterproof Rate: IP67.
2. Recommend Panel Thickness: 0.8 to 6.0 mm.
3. Recommend Torque: 14~15 Kgf-cm.
4. Mating Cap P/N: GT1C5331X2.
5. RoHS Compliant.

REV	ECN#	DESCRIPTION OF REVISION	DRAW BY DATE	CHECK BY DATE	APPROVE BY DATE
01			Hank 06/16/20	Lucas 06/16/20	Ray 06/16/20

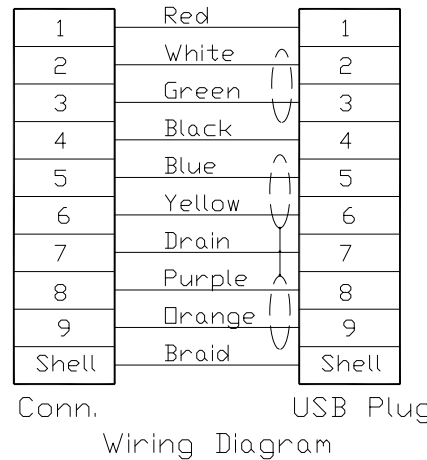


GTC
DOC.CENTER.ISSUE
JUN.16.2020
ONLY FOR
RELEASE

Item	Part Name	Material / Finish	Q'ty
10	Over Mold	PVC Color: Black	1
9	USB-A 3.0 Plug Right Angle Right	Housing: Thermoplastic, Color: Blue Contacts: Copper Alloy, Finish: Au Plated Shell: Steel, Finish: Au Plated	1
8	Shrink Tube	L=25mm, Heat Shrink Tube With Adhesive Lined Color: Black	1
7	Cable	UL2725 (1P*28AWG+EAM)*2+(1PR*28AWG+A)+2C*24AWG+AB 85% Color: Black, OD=5.5mm	1
6	Glue	Epoxy Color: Black	1
5	PCB	FR-4 Color: _____	1
4	USB-A 3.0 Receptacle	Housing: Thermoplastic, Color: Blue Contacts: Copper Alloy, Finish: Au Plated Shell: Copper Alloy, Finish: Ni Plated	1
3	Gasket	Silicone Color: Black	1
2	Hex Nut	Thermoplastic Color: Black	1
1	Housing	Thermoplastic Color: Black	1



Recommend
Panel Cut-Out



USB3.0 A MALE
RIGHT ANGLE RIGHT
MOLDED BLACK

Part No.	Cable Length	Tol.
GT118300-0A-02	2000 mm	+100
GT118300-0A-01	1000 mm	+50
GT118300-0A-Z9	900 mm	+50
GT118300-0A-Z8	800 mm	+50
GT118300-0A-Z7	700 mm	+50
GT118300-0A-Z6	600 mm	+50
GT118300-0A-Z5	500 mm	+50
GT118300-0A-Z4	400 mm	+50
GT118300-0A-Z3	300 mm	+25
GT118300-0A-Z2	200 mm	+25
GT118300-0A-Z1	100 mm	+20

TITLE					DRAWING NUMBER			REV.	
USB-A 3.0 Plastic C3 Panel Jack Screw With USB-A 3.0 Plug Right Angle Right					GT118300-0A-XX			01	
THIRD ANGLE PROJECTION		SIZE	SCALE	DRAW / DATE	CHECK / DATE	APPROVE / DATE	TOLERANCES	UNIT	SHEET
DD NOT SCALE DRAWINGS		B	N/A	Hank 06/16/20	Lucas 06/16/20	Ray 06/16/20	XX ± 0.5 X.XX ± 0.2	mm	1/1

GT Contact CO.,LTD

NOTICE OF PROPRIETARY PROPERTY:
THE INFORMATION CONTAINED HEREIN IS THE PROPRIETARY PROPERTY OF GT Contact CO.,LTD THE POSSESSOR AGREES TO THE FOLLOWING:
(1) TO MAINTAIN THIS DOCUMENT IN CONFIDENCE
(2) NOT TO REPRODUCE OR COPY IT
(3) NOT TO REVEAL OR PUBLISH IT IN WHOLE OR PART
(4) ALL RIGHTS RESERVED