

1

2

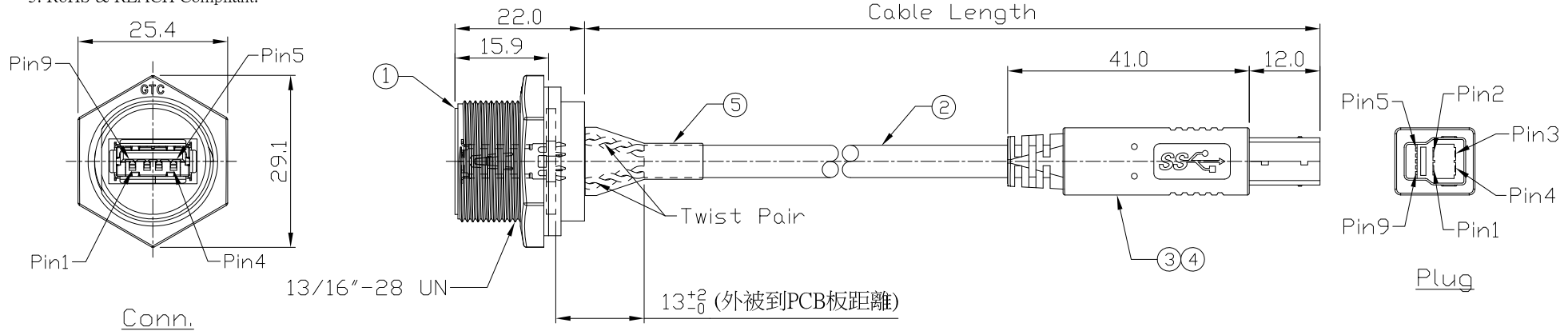
3

4

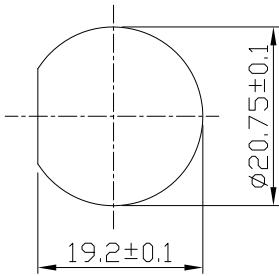
Notes: (Unless Otherwise Specified)

- 1. Waterproof Rate: IP67.
- 2. Recommend Panel Thickness: 0.8 to 6.0 mm.
- 3. Recommend Torque: 14~15 Kgf-cm.
- 4. Mating Cap P/N: GT1C5331X2.
- 5. RoHS & REACH Compliant.

| REV | ECN# | DESCRIPTION OF REVISION | DRAW BY DATE | CHECK BY DATE | APPROVE BY DATE |
|-----|------------|--|----------------|----------------|-----------------|
| A2 | ECN-240625 | STEEL WITH NICKEL PALTED=>STEEL WITH Au PALTED | Lucas 06/26/24 | Lucas 06/26/24 | Ray 06/26/24 |



GTC
DOC.CENTER.ISSUE
JUL.01.2024
ONLY FOR
RELEASE



Recommend
Panel Cut-Out

| Conn. | Color | Plug |
|-------|--------|-------|
| 1 | Red | 1 |
| 2 | White | 2 |
| 3 | Green | 3 |
| 4 | Black | 4 |
| 5 | Blue | 5 |
| 6 | Yellow | 6 |
| 7 | Drain | 7 |
| 8 | Purple | 8 |
| 9 | Orange | 9 |
| Shell | Braid | Shell |

Conn. Plug

Wiring Diagram

| Part No. | Cable Length | Tol. |
|----------------|--------------|------|
| GT118300-05-02 | 2000 mm | +100 |
| GT118300-05-01 | 1000 mm | +50 |
| GT118300-05-29 | 900 mm | +50 |
| GT118300-05-28 | 800 mm | +50 |
| GT118300-05-27 | 700 mm | +50 |
| GT118300-05-26 | 600 mm | +50 |
| GT118300-05-25 | 500 mm | +50 |
| GT118300-05-24 | 400 mm | +50 |
| GT118300-05-23 | 300 mm | +25 |
| GT118300-05-22 | 200 mm | +25 |

| Item | Part Name | Material / Finish | Q'ty |
|------|-------------------------|--|------|
| 5 | Shrink Tube | L=25mm, Heat Shrink Tube With Adhesive Lined Color: Black | 1 |
| 4 | Over Mold | PVC Color: Black | 1 |
| 3 | USB-B 3.0 Plug | Housing: Thermoplastic, Color: Blue Contacts: Copper Alloy, Finish: Au Plated Shell: SPCC, Finish: Au Plated | 1 |
| 2 | Cable | UL2725 (1P*28AWG+EAM)*2+(1PR*28AWG+A)+2C*22AWG+AB 85% Color: Black, OD=5.5mm | 1 |
| 1 | USB-A 3.0 C3 Panel Jack | GT Contact P/N: GT118300-01-XX | 1 |

| TITLE | | | | | | DRAWING NUMBER | | | REV. | |
|---|------|-------|----------------|--------------|----------------|-------------------------|------|-----------------------------|------|--|
| USB-A 3.0 Plastic C3 Panel Jack Screw With USB-B 3.0 Plug | | | | | | GT118300-05-XX | | | A2 | |
| THIRD ANGLE PROJECTION | SIZE | SCALE | DRAW / DATE | CHECK / DATE | APPROVE / DATE | TOLERANCES | UNIT | SHEET | | |
| DD NOT SCALE DRAWINGS | B | 1:1 | Lucas 12/01/16 | Ray 12/01/16 | Ray 12/01/16 | X.X ± 0.5 X.XX ± 0.2 | mm | X.XXX ± 0.05 ANGLES ± 1° | 1/1 | |

GT Contact CO.,LTD

NOTICE OF PROPRIETARY PROPERTY:
THE INFORMATION CONTAINED HEREIN IS THE PROPRIETARY PROPERTY OF GT Contact CO.,LTD THE POSSESSOR AGREES TO THE FOLLOWING:
(a) TO MAINTAIN THIS DOCUMENT IN CONFIDENCE
(b) NOT TO REPRODUCE OR COPY IT
(c) NOT TO REVEAL OR PUBLISH IT IN WHOLE OR PART
(d) ALL RIGHTS RESERVED

1

2

3

4