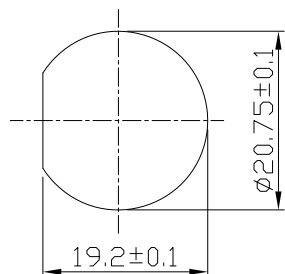


Notes: (Unless Otherwise Specified)

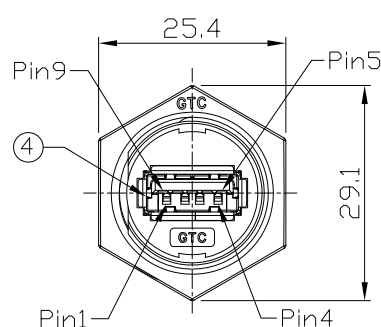
1. Waterproof Rate: IP67.
2. Recommend Panel Thickness: 0.8 to 4.0 mm.
3. Recommend Torque: 14~15 Kgf-cm.
4. Mating Cap P/N: GT1C1310X2.
5. RoHS&REACH Compliant.

REV	ECN#	DESCRIPTION OF REVISION	DRAW BY DATE	CHECK BY DATE	APPROVE BY DATE
01			Lucas 02/14/17	Lucas 02/14/17	Ray 02/14/17

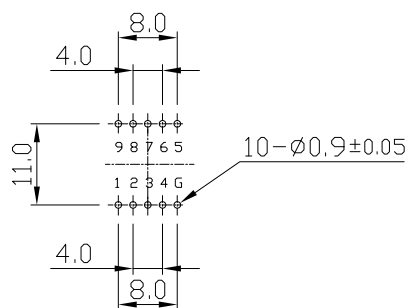
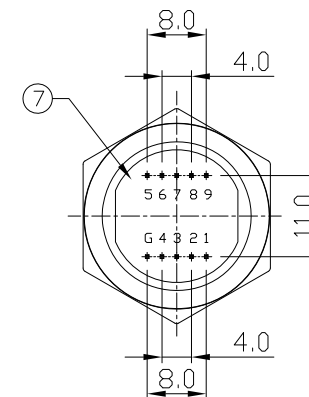
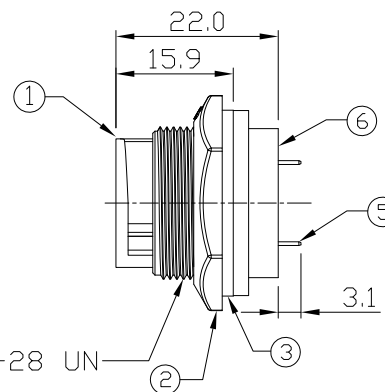
GTC
DOC.CENTER.ISSUE
FEB.16.2017
ONLY FOR
RELEASE



Recommend
Panel Cut-Out



13/16"-28 UN



Recommend
PCB Layout

USB 3.0 TYPE A			
Pin	Signal Name	Description	Mating Cable Color
1	VBUS	Power	Red
2	D-	USB 2.0	White
3	D+	Differential Pair	Green
4	GND	Ground For Power Return	Black
5	StdA_SSRX-	SuperSpeed Receiver	Blue
6	StdA_SSRX+	Differential Pair	Yellow
7	GND_Drain	Ground For Signal Return	Drain-Wire
8	StdA_SSTX-	SuperSpeed Transmitter	Purple
9	StdA_SSTX+	Differential Pair	Orange
G	Shell	Connector Metal Shell	Drain-Wire

Item	Part Name	Material / Finish	Q'ty
7	Glue	Epoxy Color: Black	
6	PCB	FR-4 Color: Green	1
5	Pin Header	Housing: Thermoplastic, Color: Black Contacts: Copper Alloy, Finish: Au Plated	2
4	USB-A 3.0 Receptacle	Housing: Thermoplastic, Color: Blue Contacts: Copper Alloy, Finish: Au Plated Shell: Stainless, Finish: Non	1
3	Gasket	Silicone Color: Black	1
2	Hex Nut	Thermoplastic Color: Black	1
1	Housing	Thermoplastic Color: Black	1

TITLE						DRAWING NUMBER			REV.
USB-A 3.0 Plastic C3 Panel Jack Dip Lock						GT118200-10			01
THIRD ANGLE PROJECTION	SIZE	SCALE	DRAW / DATE	CHECK / DATE	APPROVE / DATE	TOLERANCES	UNIT	SHEET	
	B	1:1	Lucas 02/14/17	Lucas 02/14/17	Ray 02/14/17	X.X ± 0.5 X.XX ± 0.2	mm	1/1	
						X.XXX ± 0.05 ANGLES ± 1°			

GT Contact CO.,LTD

NOTICE OF PROPRIETARY PROPERTY:
THE INFORMATION CONTAINED HEREIN IS THE PROPRIETARY PROPERTY OF GT Contact CO.,LTD THE POSSESSOR AGREES TO THE FOLLOWING:
(a) TO MAINTAIN THIS DOCUMENT IN CONFIDENCE
(b) NOT TO REPRODUCE OR COPY IT
(c) NOT TO REVEAL OR PUBLISH IT IN WHOLE OR PART
(d) ALL RIGHTS RESERVED