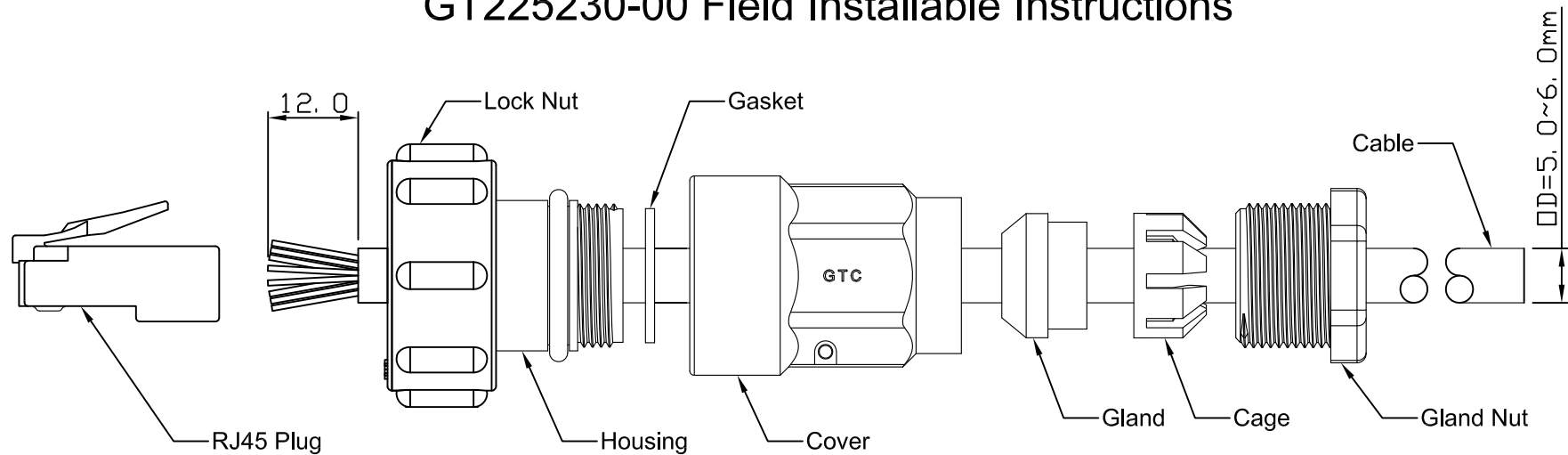
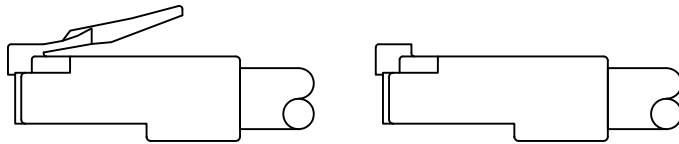


# GT Contact CO.,LTD

## GT225230-00 Field Installable Instructions



- 1.)Strip cable jacket 12.0mm
- 2.)Pass cable through all components.
- 3.)RJ45 plug shrapnel with presses  $6.02 \pm 0.13$ mm
- 4.)Resection RJ45 plug latch



- 5.)Assembly gasket,cover to housing,tightening(6.0 to 7.0 kgf-cm)
- 6.)Assembly gland,cage,gland nut to housing,tightening(9.0 to 10.0 kgf-cm)

<http://www.gtcontact.com>  
Contact:sales@gtcontact.com