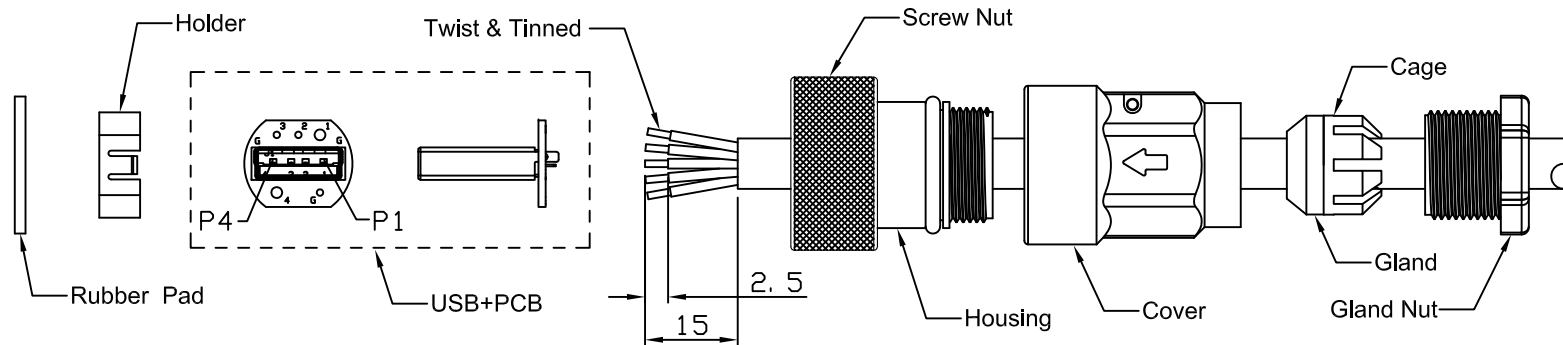


GT Contact CO.,LTD

GT216370-00 Field Installable Instructions



- 1.) Strip cable jacket 15.0mm
- 2.) Strip insulation and twist & tinned conductors 2~3mm.
- 3.) Pass cable through all components
- 4.) Solder stripped wire onto USB+PCB.
- 5.) Assemble the USB + PCB with the cable into the housing and install holder, rubber pad.
- 6.) Assembly cover to housing,tightening(6.0 to 7.0 kgf-cm)
- 7.) Assembly gland,cage,gland nut to housing,tightening(9.0 to 10.0 kgf-cm)

<http://www.gtcontact.com>
Contact:sales@gtcontact.com